



ANALOG DEVICES

Low-Power, Precision Analog Microcontroller, Dual Σ - Δ ADCs, Flash/EE, ARM7TDMI

Preliminary Technical Data

ADuC7060/ADuC7061/ADuC7062

FEATURES

Analog input/output

- Dual (24-bit) ADCs
- Single-ended and differential inputs
- Programmable ADC output rate (4 Hz to 8 kHz)
- Programmable digital filters
- Low power operation mode
 - Primary (24-bit) ADC channel
 - Up to 5 input channels
 - PGA (1 to 512) input stage
 - Selectable input range, ± 2.34 mV to ± 1.2 V
 - 30 nV rms noise
 - Auxiliary (24-bit) ADC
 - Up to 8 buffered input channels
- On-chip precision reference (± 10 ppm/ $^{\circ}$ C)
- Programmable sensor excitation current sources
 - 200 μ A to 2 mA current source range
- Single 16-bit voltage output DAC

Microcontroller

- ARM7TDMI core, 16-/32-bit RISC architecture
- JTAG port supports code download and debug
- Multiple clocking options

Memory

- 32 kB (16 kB \times 16) Flash/EE memory
- 4 kB (1 kB \times 32) SRAM

Tools

- In-circuit download, JTAG based debug
- Low cost, QuickStart development system

Communications interfaces

SPI interface(5 Mbps)

- UART serial I/O and I²C (master/slave)

On-chip peripherals

- 4 \times general-purpose (capture/compare) timers
- 2 \times general-purpose (capture/compare) timers
- Wakeup timer
- Watchdog timer

Vectored interrupt controller for FIQ and IRQ

- 8 priority levels for each interrupt type
- interrupt on edge or level external pin inputs

16-bit, 6-channel PWM

General-purpose inputs/outputs

- Up to 14 GPIO pins that are fully 3.3 V compliant

Power

- AVDD/DVDD specified for 2.5 V (+5%)
- All inputs/outputs fully 3.3 V compliant
- Active mode: 2.6 mA (@1 MHz, both ADCs active)
- 10 mA (@10 MHz, both ADCs active)

Packages and Temperature range

- Fully specified for -40° C to $+125^{\circ}$ C operation
- 32-lead LFCSP (5 mm \times 5 mm)
- 48-lead LFCSP
- 48-lead LQFP

Derivatives: 48-lead LQFP and 48-lead LFCSP, dual ADCs (ADuC7060); 32-lead LFCSP, dual ADCs (ADuC7061); 32-lead LFCSP, single ADC (ADuC7062)

APPLICATIONS

Industrial automation and process control

Intelligent, precision sensing systems, 4 to 20 mA loop-based smart sensors

GENERAL DESCRIPTION

The ADuC706x are fully integrated, 8 kSPS, 24-bit data acquisition systems incorporating high performance multichannel sigma-delta (Σ - Δ) analog-to-digital converters (ADCs), 16-bit/32-bit ARM7TDMI[®] MCU, and Flash/EE memory on a single chip.

The ADCs consists of a 5-channel primary ADC and up to an 8-channel auxiliary ADC. The ADCs operate in single-ended or differential input modes. A single channel buffered voltage output DAC is available on-chip. The DAC output range is programmable to one of two voltage ranges.

The devices operate from an on-chip oscillator and a PLL generating an internal high frequency clock up to 10.24 MHz. The microcontroller core is an ARM7TDMI, 16-bit/32-bit RISC machine offering up to 10 MIPS peak performance. 4 kB of SRAM and 32 kB of nonvolatile Flash/EE memory are provided on-chip. The ARM7TDMI core views all memory and registers as a single linear array.

The ADuC7060 contains four timers. Timer 1 is wake-up timer with the ability to bring the part out of power saving mode. Timer 2 may be configured as a watchdog timer. A 16-bit PWM with six output channels is also provided.

The ADuC7060 contains an advanced interrupt controller. The vectored interrupt controller (VIC) allows every interrupt to be assigned a priority level. It also supports nested interrupts to a maximum level of eight per IRQ and FIQ. When IRQ and FIQ interrupt sources are combined, a total of 16 nested interrupt levels are supported. On-chip factory firmware supports in-circuit serial download via the UART serial interface ports and nonintrusive emulation via the JTAG interface.

The parts operate from 2.375 V to 2.625 V over an industrial temperature range of -40° C to $+125^{\circ}$ C.

Rev. PrA

Information furnished by Analog Devices is believed to be accurate and reliable. However, no responsibility is assumed by Analog Devices for its use, nor for any infringements of patents or other rights of third parties that may result from its use. Specifications subject to change without notice. No license is granted by implication or otherwise under any patent or patent rights of Analog Devices. Trademarks and registered trademarks are the property of their respective owners.

One Technology Way, P.O. Box 9106, Norwood, MA 02062-9106, U.S.A.
Tel: 781.329.4700 www.analog.com
Fax: 781.461.3113 ©2008 Analog Devices, Inc. All rights reserved.

TABLE OF CONTENTS

Features	1	IRQ	53
Applications.....	1	Fast Interrupt Request (FIQ)	54
General Description	1	Timers	60
Revision History	2	Timer0.....	61
Functional Block Diagram	3	Timer1 or Wake-Up Timer	63
Specifications.....	4	Timer2 or Watchdog Timer	65
Electrical Specifications.....	4	Timer3.....	67
Timing Specifications	8	Pulse-Width Modulator (PWM).....	69
Absolute Maximum Ratings.....	9	PWM General Overview.....	69
ESD Caution.....	9	UART Serial Interface	74
Pin Configurations and Function Descriptions	10	Baud Rate Generation.....	74
Terminology	14	UART Register Definition.....	74
Overview of the ARM7TDMI Core	15	I ² C.....	79
Thumb Mode (T).....	15	Serial Clock Generation	80
Multiplier (M).....	15	I ² C Bus Addresses.....	80
Embedded ICE (I)	15	I ² C Registers	80
ARM Registers	15	I ² C Common Registers.....	88
Interrupt Latency.....	16	Serial Peripheral Interface	89
Memory Organization	16	MISO (Master In, Slave Out) Pin.....	89
Flash/EE Control Interface.....	17	MOSI (Master Out, Slave In) Pin.....	89
Memory Mapped Registers	20	SCL (Serial Clock I/O) Pin.....	89
Complete MMR Listing.....	21	Slave Select (\overline{SS} Input) Pin.....	89
Reset	26	Configuring External Pins for SPI Functionality.....	89
Oscillator, PLL and Power Control	27	SPI Registers.....	90
ADC Circuit information	30	General-Purpose I/O	94
Example Application Circuits	49	GPxCON Registers.....	94
DAC Peripherals	50	GPxDAT Registers	94
DAC.....	50	GPxSET Registers.....	94
MMR Interface.....	50	GPxCLR Registers.....	95
Nonvolatile Flash/EE Memory	52	GPxPAR Registers	95
Flash/EE Memory Reliability.....	52	Hardware Design Considerations	96
Programming.....	52	Power Supplies.....	96
Processor Reference Peripherals.....	53	Outline Dimensions	97
Interrupt System	53	Ordering Guide	98

REVISION HISTORY

6/08—Revision PrA: Preliminary Version

FUNCTIONAL BLOCK DIAGRAM

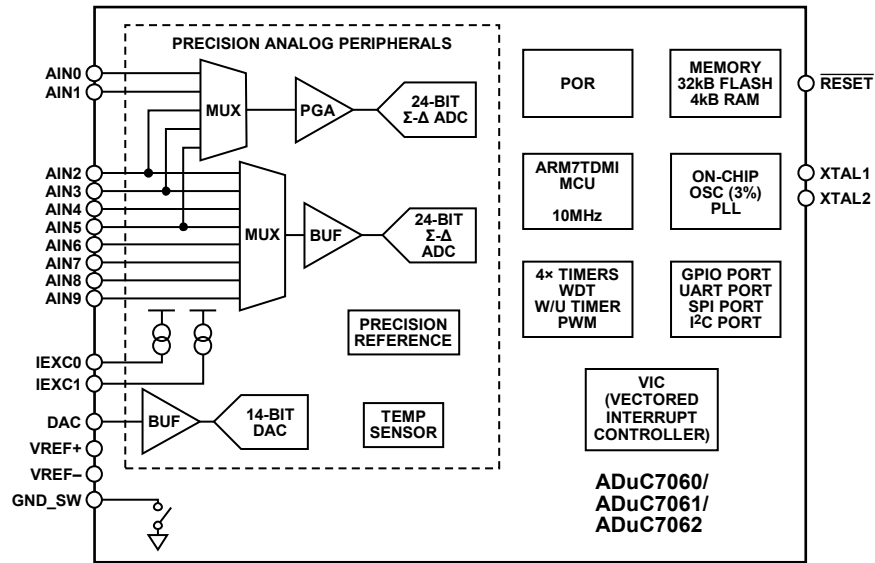


Figure 1.

077075-001

SPECIFICATIONS

ELECTRICAL SPECIFICATIONS

$V_{DD} = 2.5 \text{ V} \pm 5\%$, $V_{REF+} = 1.2 \text{ V}$, $V_{REF-} = \text{GND}$ internal reference, $f_{CORE} = 10.24 \text{ MHz}$ driven from external 32.768 kHz watch crystal or on-chip precision oscillator, all specifications $T_A = -40^\circ\text{C}$ to $+125^\circ\text{C}$, unless otherwise noted.

Table 1. ADuC706x Specifications

Parameter	Test Conditions/Comments	Min	Typ	Max	Unit
ADC SPECIFICATIONS					
Conversion Rate ¹	Chop off, ADC normal operating mode	50		8000	Hz
	Chop on, ADC normal operating mode	4		2600	Hz
	Chop on, ADC low power mode	1		650	Hz
Main Channel No Missing Codes ¹	Chop off ($f_{ADC} \leq 1 \text{ kHz}$)	24			Bits
	Chop on ($f_{ADC} \leq 666 \text{ Hz}$)	24			Bits
Integral Nonlinearity ²	Gain = 1			± 14	ppm of FSR
	Gain = 8			± 25	ppm of FSR
	Gain = 64			± 66	ppm of FSR
Offset Error ^{3,4}	Chop off, offset error is in the order of the noise for the programmed gain and update rate following calibration		± 4		μV
Offset Error ^{3,4}	Chop on		± 0.5		μV
Offset Error Drift vs. Temperature ⁵	Chop off (with GAIN ≤ 64)		650/PGA_GAIN		nV/ $^\circ\text{C}$
Offset Error Drift vs. Temperature ⁵	Chop on (with GAIN ≤ 64)		10		nV/ $^\circ\text{C}$
Full Scale Error ^{1,6,7,8}	Normal mode		± 0.5		mV
Full Scale Error ^{1,6,7,8}	Low power mode		± 1.0		mV
Gain Drift v Temperature ⁹			5		ppm/ $^\circ\text{C}$
PGA Gain Mismatch Error			± 0.1		%
Output Noise ¹	See Table 29				
Power Supply Rejection	Chop on, ADC = 1 V, (gain = 1)		80		dB
	Chop on, ADC = 7.8 mV, (gain = 128)		113		dB
	Chop off, ADC = 1 V, (gain = 1)		80		dB
Aux Channel					
No Missing Codes ¹	Chop off ($f_{ADC} \leq 1 \text{ kHz}$)	24			Bits
	Chop on ($f_{ADC} \leq 666 \text{ Hz}$)	24			Bits
Integral Nonlinearity				± 20	ppm of FSR
Offset Error ⁴	Chop off		± 15		μV
Offset Error ⁴	Chop on		± 0.5		μV
Offset Error Drift vs. Temperature ⁵	Chop off		200		nV/ $^\circ\text{C}$
Offset Error Drift vs. Temperature ⁵	Chop on		10		nV/ $^\circ\text{C}$
Full-Scale Error ^{1,6,7,8}	Normal mode		± 0.5		mV
Full-Scale Error ^{1,6,8}	Low power mode		± 1.0		mV
Gain Drift vs. Temperature ⁹			3		ppm/ $^\circ\text{C}$
Output Noise	See Table 27				
Power Supply Rejection	Chop on, ADC = 1 V		80		dB
	Chop off, ADC = 1 V		80		dB

Parameter	Test Conditions/Comments	Min	Typ	Max	Unit
ADC SPECIFICATIONS: ANALOG INPUT					
Internal VREF = 1.2 V					
Main Channel					
Absolute Input Voltage Range	Applies to both VIN+ and VIN-	0.1		V _{DD} - 0.7	V
Input Voltage Range	Gain = 1 ¹		1.2		V
	Gain = 2 ¹⁰		600		mV
	Gain = 4 ¹⁰		300		mV
	Gain = 8		150		mV
	Gain = 16		75		mV
	Gain = 32		37.5		mV
	Gain = 64		18.75		mV
	Gain = 128		9.375		mV
Input Leakage Current ¹	ADC0/ADC1		10		nA
	ADC2/ADC3/ADC4/ADC5		15		nA
	ADC6/ADC7/ADC8/ADC9		15		nA
Input Offset Current ^{1,11}			0.5		nA
Common-Mode Rejection DC ¹					
On ADC	ADC = 7.8 mV	95			dB
	ADC = 1 V ¹		113		dB
Common-Mode Rejection 50/60 Hz ¹					
	50/60 Hz ± 1 Hz, 16.6 Hz and 50 Hz update rate, chop on				
	ADC = 7.8 mV, range ± 20 mV	95			dB
	ADC = 1 V, range ± 1.2 V	90			dB
Normal-Mode Rejection 50/60 Hz ¹					
On ADC	50/60 Hz ± 1 Hz, 16.6 Hz f _{ADC} , chop on	75			dB
	50/60 Hz ± 1 Hz, 16.6 Hz f _{ADC} , chop off	67			dB
Aux Channel					
Absolute Input Voltage Range ¹	Buffer enabled	0.1		AVDD - 0.1	V
	Buffer disabled	AGND		AVDD	
Input Voltage Range	Range based reference source		0 - 1.2		V
Input Current			5.5		μA
Common-Mode Rejection DC ¹					
On ADC	ADC = 7.8 mV	95			dB
	ADC = 1 V ¹		113		dB
Common-Mode Rejection 50/60 Hz ¹					
	50/60 Hz ± 1 Hz, 16.6 Hz and 50 Hz update rate, chop on				
	ADC = 7.8 mV, range ± 20 mV	95			dB
	ADC = 1 V, range ± 1.2 V	90			dB
Normal-Mode Rejection 50/60 Hz ¹					
On ADC	50/60 Hz ± 1 Hz, 16.6 Hz f _{ADC} , chop on	75			dB
	50/60 Hz ± 1 Hz, 16.6 Hz f _{ADC} , chop off	67			dB
VOLTAGE REFERENCE					
ADC Precision Reference					
Internal VREF			1.2		V
Initial Accuracy ¹	Measured at T _A = 25°C	-0.06		+0.06	%
Reference Temperature Coefficient ^{1,12}		-20	±10	+20	ppm/°C
Power Supply Rejection			70		dB

Parameter	Test Conditions/Comments	Min	Typ	Max	Unit
External Reference Input Range ¹³		0.1		AVDD	V
V _{REF} Divide by 2 Initial Error ¹			0.1		%
DAC CHANNEL SPECIFICATIONS	R _L = 5 kΩ, C _L = 100 pF				
Voltage Range			0 – V _{REF}		V
			0 – AVDD		V
12-BIT MODE					
DC Specifications ¹⁴		12			Bits
Resolution			±2		LSB
Relative Accuracy	Guaranteed monotonic		±0.2	±1	LSB
Differential Nonlinearity	1.2 V internal reference		±2	±15	mV
Offset Error	V _{REF} range (reference = 1.2 V)			±1	%
Gain Error	AVDD range			±1	%
Gain Error Mismatch				0.1	% of full scale on DAC
16-BIT MODE					
DC Specifications ¹⁵		14			Bits
Resolution	For 14-bit resolution		±3		LSB
Relative Accuracy	Guaranteed monotonic (14 bits)		±0.5	±1	LSB
Differential Nonlinearity	1.2 V internal reference		±2	±15	mV
Offset Error	V _{REF} range (reference = 1.2 V)			±1	%
Gain Error	AVDD range			±1	%
Gain Error Mismatch				0.1	% of full scale on DAC
DAC AC CHARACTERISTICS					
Voltage Output Settling Time			10		μs
Digital-to-Analog Glitch Energy	1 LSB change at major carry (where maximum number of bits simultaneously change in the DACxDAT register)		±20		nV-sec
TEMPERATURE SENSOR ¹⁶	After user calibration				
Accuracy	MCU in power down or standby mode		±4		°C
Thermal Impedance	32-lead LFCSP		TBD		°C/W
	48-lead LFCSP		TBD		°C/W
	48-lead LFQFP		TBD		°C/W
POWER-ON RESET (POR)					
POR Trip Level	Refers to voltage at VDD pin				
	Power-on level		2.0		V
	Power-down level		2.25		V
RESET Timeout from POR	Maximum supply ramp between 1.8 V to 2.25 V; after POR trip, VDD must reach 2.25 V within this time limit			128	ms
EXCITATION CURRENT SOURCES					
Output Current	Available from each current source	200	1000		μA
Initial Tolerance at 25°C			±5		%
Drift			200		ppm/°C
Initial Current matching at 25°C	Matching between both current sources		±0.5		%
Drift matching			20		ppm/°C
Line Regulation (AV _{DD})	AV _{DD} = 2.5 V ± 5%		0.2		%/V
Output Compliance ¹		AV _{DD} – 0.7		AGND – 30 mV	V

Parameter	Test Conditions/Comments	Min	Typ	Max	Unit
WATCHDOG TIMER (WDT) Timeout Period ¹ Timeout Step Size	32.768 kHz clock, 256 prescale	0.008	7.8	512	sec ms
FLASH/EE MEMORY ¹ Endurance ¹⁷ Data Retention ¹⁸		10,000 20			Cycles Years
DIGITAL INPUTS Input Leakage Current Input Pull-up Current Input Capacitance Input Leakage Current Input Pull-Down Current	All digital inputs except NTRST Input (high) = DVDD Input (low) = 0 V NTRST only: input (low) = 0 V NTRST only: input (high) = DVDD	10 30	±1 20 10 ±1 55	±10 80 ±10 100	µA µA pF µA µA
LOGIC INPUTS ¹ VINL, Input Low Voltage VINH, Input High Voltage	All logic inputs	2.0		0.4	V V
CRYSTAL OSCILLATOR ¹ Logic Inputs, XTAL1 Only VINL, Input Low Voltage VINH, Input High Voltage XTAL1 Capacitance XTAL2 Capacitance		1.7	12 12	0.8	V V pF pF
ON-CHIP OSCILLATORS Oscillator Accuracy		-3	32,768	+3	kHz %
MCU CLOCK RATE	8 programmable core clock selections within this range (binary divisions 1, 2, 4, 8 ... 64, 128)	0.160	2.56	10.24	MHz
MCU START-UP TIME At Power-On After Reset Event From MCU Power-Down PLL ON Wakeup from Interrupt PLL Off Wakeup from Interrupt Internal PLL Lock Time	Includes kernel power-on execution time Includes kernel power-on execution time		134 5 13 100 1		ms ms µs µs ms
POWER REQUIREMENTS Power Supply Voltages DVDD (±5%) AVDD (±5%) Power Consumption I _{DD} (MCU Normal Mode) ¹⁹ I _{DD} (MCU Powered Down) I _{DD} (Primary ADC) I _{DD} (Aux ADC)	MCU clock rate = 10.24 MHz, ADC on MCU clock rate = 1.28 MHz, ADC on, DAC off PGA enabled, normal mode/low power mode Normal mode/low power mode	2.375 2.375	2.5 2.5 10 120 1.2/0.3 0.3/0.1	2.625 2.625 TBC 2.8 175	V V mA mA µA mA mA

¹ These numbers are not production tested, but are guaranteed by design and/or characterization data at production release.

² Valid for primary ADC gain setting of PGA = 4 to 64.

³ Tested at gain range = 4 after initial offset calibration.

⁴ Measured with an internal short. A System zero-scale calibration will remove this error.

⁵ Measured with an internal short.

⁶ These numbers do not include internal reference temperature drift.

⁷ Factory calibrated at gain = 1.

⁸ System calibration at specific gain range removes the error at this gain range.

⁹ Measured using external reference.

¹⁰ Limited by minimum absolute input voltage range.

¹¹ Valid for a differential input less than 10 mV.

¹² Measured using the box method.

¹³ References up to AVDD are accommodated by setting ADC0CON Bit 12.

¹⁴ Reference DAC linearity is calculated using a reduced code range of 171 to 4095.

¹⁵ Reference DAC linearity is calculated using a reduced code range of 2731 to 65,535.

¹⁶ Die temperature.

¹⁷ Endurance is qualified to 10,000 cycles as per JEDEC Std. 22 Method A117 and measured at -40°C , $+25^{\circ}\text{C}$, and $+125^{\circ}\text{C}$. Typical endurance at 25°C is 170,000 cycles.

¹⁸ Retention lifetime equivalent at junction temperature (T_J) = 85°C as per JEDEC Std. 22 Method A117. Retention lifetime derates with junction temperature.

¹⁹ Typical, additional supply current consumed during Flash/EE memory program and erase cycles is 7 mA and 5 mA, respectively.

TIMING SPECIFICATIONS

Data not ready yet.

ABSOLUTE MAXIMUM RATINGS

$T_A = -40^{\circ}\text{C}$ to $+125^{\circ}\text{C}$, unless otherwise noted

Table 2.

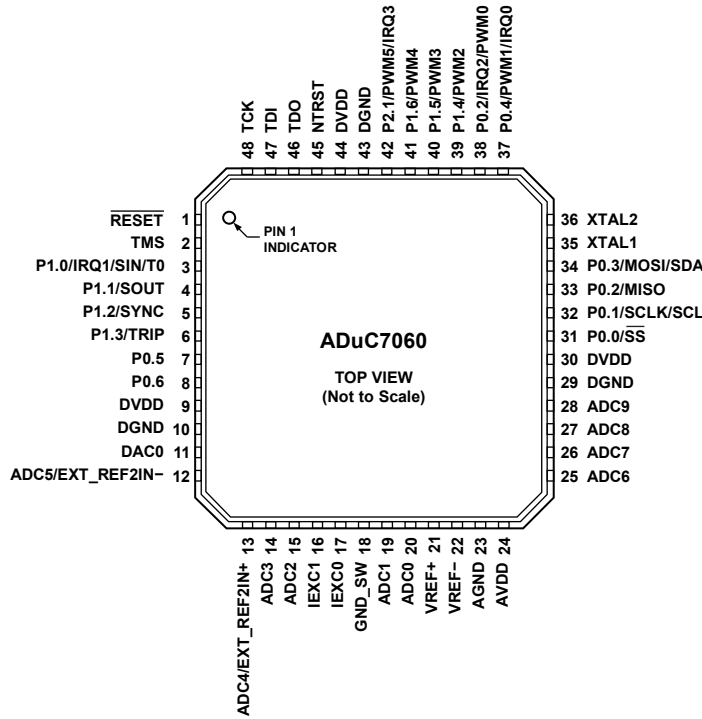
Parameter	Rating
AGND to DGND to VSS to IO_VSS	-0.3 V to +0.3 V
Digital I/O Voltage to DGND	-0.3 V to $DV_{DD} + 0.3$ V
VREF to AGND	-0.3 V to $AV_{DD} + 0.3$ V
ADC Inputs to AGND	-0.3 V to $AV_{DD} + 0.3$ V
ESD (Human Body Model) Rating	
All Pins	± 2 kV
Storage Temperature	125°C
Junction Temperature	
Transient	150°C
Continuous	130°C
Lead Temperature, Soldering	260°C
Reflow (15 sec)	

Stresses above those listed under Absolute Maximum Ratings may cause permanent damage to the device. This is a stress rating only; functional operation of the device at these or any other conditions above those indicated in the operational section of this specification is not implied. Exposure to absolute maximum rating conditions for extended periods may affect device reliability.

ESD CAUTION**ESD (electrostatic discharge) sensitive device.**

Charged devices and circuit boards can discharge without detection. Although this product features patented or proprietary protection circuitry, damage may occur on devices subjected to high energy ESD. Therefore, proper ESD precautions should be taken to avoid performance degradation or loss of functionality.

PIN CONFIGURATIONS AND FUNCTION DESCRIPTIONS



- NOTES
 1. NC = NO CONNECT.
 2. THE LFCSP_VQ HAS AN EXPOSED PADDLE THAT MUST BE CONNECTED TO GND.

07079-002

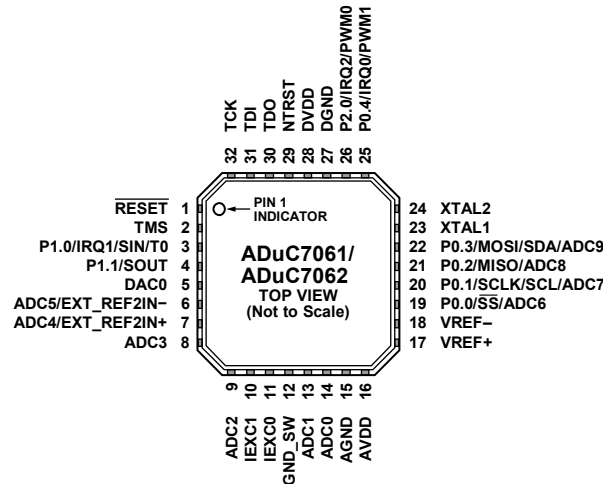
Figure 2. 48-Lead LQFPand 48-LFCSP Pin Configuration

Table 3. Pin Function Descriptions (48-Lead LQFP and 48-Lead LFCSP)

Pin No.	Mnemonic	Type ¹	Description
1	RESET	I	Reset. Input pin, active low. An external 1 kΩ pull-up resistor is recommended with this pin.
2	TMS	I	JTAG Test Mode Select. Input pin. Used for debug and download.
3	P1.0/IRQ1/SIN/T0	I/O	General-Purpose Input and Output P1/External Interrupt Request 1/Serial Input Pin 0/Timer 0 input. This pin is a multifunction input/output pin offering four functions.
4	P1.1/SOUT	I/O	General-Purpose Input and General-Purpose Output P1.1/Serial Output. This is a dual function input/output pin.
5	P1.2/SYNC	I/O	General-Purpose Input and General-Purpose Output P1.2/PWM External Sync Input. This is a dual function input/output pin.
6	P1.3/TRIP	I/O	General-Purpose Input and General-Purpose Output P1.3/PWM External Trip Input. This is a dual function input/output pin.
7	P0.5	I/O	General-Purpose Input and General-Purpose Output P0.5.
8	P0.6	I/O	General-Purpose Input and General-Purpose Output P0.6.
9	DVDD	S	Digital Supply Pin.
10	DGND	S	Digital Ground.
11	DAC0	O	DAC Output. Analog output pin.
12	ADC5/EXT_REF2IN-	I	Single-Ended or Differential Analog Input 5/External Reference Negative Input. This is a dual function analog input pin. The ADC5 serves as the analog input for the auxiliary ADC. The EXT_REF2IN- serves as the external reference negative input by ADC for the auxiliary channel.
13	ADC4/EXT_REF2IN+	I	Multifunction Analog Input Pin. This pin can be used for the single-ended or differential Analog Input 4, which is the analog input for the auxiliary ADC, or it can be used for the external reference positive input for the auxiliary channel.
14	ADC3	I	Single-Ended or Differential Analog Input 3. Analog input for the auxiliary ADC.
15	ADC2	I	Single-Ended or Differential Analog Input 2. Analog input for the auxiliary ADC.
16	IEXC1	O	Programmable Current Source. Analog output pin.
17	IEXC0	O	Programmable Current Source. Analog output pin.

Pin No.	Mnemonic	Type ¹	Description
18	GND_SW	I	Switch to Internal Analog Ground Reference. When this input pin is not used, connect it directly to the AGND system ground.
19	ADC1	I	Positive Differential Input for Primary ADC. Analog input pin.
20	ADC0	I	Negative Differential Input for Primary ADC. Analog input pin.
21	VREF+	I	External Reference Positive Input for the Primary Channel. Analog input pin.
22	VREF-	I	External Reference Negative Input for the Primary Channel. Analog input pin.
23	AGND	S	Analog Ground.
24	AVDD	S	Analog Supply Pin.
25	ADC6	I	Analog Input 6 for Auxiliary ADC. Analog input pin.
26	ADC7	I	Analog Input 7 for Auxiliary ADC. Analog input pin.
27	ADC8	I	Analog Input 8 for Auxiliary ADC. Analog input pin.
28	ADC9	I	Analog Input 9 for Auxiliary ADC. Analog input pin.
29	DGND	S	Digital Ground.
30	DVDD	S	Digital Supply Pin.
31	P0.0/SS	I/O	Multifunction Input/Output Pin. General-Purpose Input and General-Purpose Output P0.0/SPI slave select pin. Active low
32	P0.1/SCLK/SCL	I/O	Multifunction Input/Output Pin. General-Purpose Input and General-Purpose Output P0.1/ SPI clock pin/ I ² C clock pin.
33	P0.2/MISO	I/O	Multifunction Input/Output Pin. General-Purpose Input and General-Purpose Output P0.2/SPI master input or slave output.
34	P0.3/MOSI/SDA	I/O	Multifunction Input/Output Pin. General-Purpose Input and General-Purpose Output P0.3/ SPI master output or slave input/I ² C data pin.
35	XTAL1	O	External Crystal Oscillator Output Pin.
36	XTAL2	I	External Crystal Oscillator Input Pin.
37	P0.4/PWM1/IRQ0	I/O	Multifunction Input/Output Pin. General-Purpose Input and General-Purpose Output P0.4/ External Interrupt Request 0/PWM1 output.
38	P2.0/IRQ2/PWM0	I/O	Multifunction Input/Output Pin. General-Purpose Input and General-Purpose Output P2.0/External Interrupt Request 2/PWM0 output.
39	P1.4/PWM2	I/O	Multifunction Input/Output Pin. General-Purpose Input and General-Purpose Output P1.4/PWM2 output.
40	P1.5/PWM3	I/O	Multifunction Input/Output Pin. General-Purpose Input and General-Purpose Output P1.5/PWM3 output.
41	P1.6/PWM4	I/O	Multifunction I/O Pin. General-Purpose Input and General-Purpose Output P1.6/PWM4 output.
42	P2.1/PWM5/IRQ3	I/O	Multifunction Input/Output Pin. General-Purpose Input and General-Purpose Output P2.1/ PWM5 output/External Interrupt Request 3.
43	DGND	S	Digital Ground.
44	DVDD	S	Digital Supply Pin.
45	NTRST	I	JTAG Reset. Input pin used for debug and download only.
46	TDO	O	JTAG Data Out. Output pin used for debug and download only.
47	TDI	I	JTAG Data In. Input pin used for debug and download only.
48	TCK	I	JTAG Clock Pin. Input pin used for debug and download only.

¹ I = input, O = output, S = supply.



NOTES
 1. NC = NO CONNECT.
 2. THE LFCSP_VQ HAS AN EXPOSED PADDLE THAT MUST BE CONNECTED TO GND.

07/09-003

Figure 3. 32-Lead LFCSP Pin Configuration

Table 4. Pin Function Descriptions ADuC7061/ADuC7062 32-Lead LFCSP

Pin No.	Mnemonic	Type ¹	Description
1	RESET	I	Reset Pin. Active Low, input pin. An external 1 kΩ pull-up resistor is recommended with this pin.
2	TMS	I	JTAG Test Mode Select. Input pin used for debug and download.
3	P1.0/IRQ1/SIN/T0	I/O	Multifunction Input/Output Pin: General-Purpose Input and General-Purpose Output P1.0. External interrupt Request 1. Serial Input. Timer 0 Input.
4	P1.1/SOUT	I/O	Multifunction Input/Output Pin: General-Purpose Input and General-Purpose Output P1.1. Serial Output.
5	DAC0	O	DAC Output. Analog output pin.
6	ADC5/EXT_REF2IN-	I	Multifunction Analog Input Pin: Single-Ended or Differential Analog Input 5. Analog input for auxiliary ADC. External Reference Negative Input for the Auxiliary Channel.
7	ADC4/EXT_REF2IN+	I	Multifunction Analog Input Pin: Single-ended or Differential Analog Input 4. Analog input for auxiliary ADC. External Reference Positive Input for the Auxiliary Channel.
8	ADC3	I	Single-Ended or Differential Analog Input 3. Analog input for auxiliary ADC.
9	ADC2	I	Single-Ended or Differential Analog Input 2. Analog input for auxiliary ADC.
10	IEXC1	O	Programmable Current Source. Analog output pin.
11	IEXC0	O	Programmable Current Source. Analog output pin.
12	GND_SW	I	Switch to Internal Analog Ground Reference. When this input pin is not used, connect it directly to the AGND system ground.
13	ADC1	I	Positive Differential Input for Primary ADC. Analog input pin.
14	ADC0	I	Negative Differential Input for Primary ADC. Analog input pin.
15	AGND	S	Analog Ground.
16	AVDD	S	Analog Supply Pin.
17	VREF+	I	External Reference Positive Input for the Primary Channel. Analog input pin.
18	VREF-	I	External Reference Negative Input for the Primary Channel. Analog input pin.
19	P0.0/SS/ADC6	I/O	Multifunction Input/Output Pin. General-Purpose Input and General-Purpose Output P0.0/ SPI Slave Select (active low)/Input to Auxiliary ADC6.
20	P0.1/SCLK/SDA/ADC7	I/O	Multifunction Input/Output Pin. General-Purpose Input and General-Purpose Output P0.1/SPI clock/ I ² C clock/ Input to Auxiliary ADC7.

Pin No.	Mnemonic	Type ¹	Description
21	P0.2/MISO/ADC8	I/O	Multifunction Input/Output Pin. General-Purpose Input and General-Purpose Output P0.2/SPI master input or slave output/Auxiliary ADC8 input.
22	P0.3/MOSI/SDA/ADC9	I/O	Multifunction Input/Output Pin. General-Purpose Input and General-Purpose Output P0.3/SPI master output or slave input/I ² C data pin/Auxiliary ADC ADC9 input.
23	XTAL1	O	External Crystal Oscillator Output Pin.
24	XTAL2	I	External Crystal Oscillator Input Pin.
25	P0.4/IRQ0/PWM1	I/O	Multifunction Input/Output Pin. General-Purpose Input and General-Purpose Output P0.4/WM1 output.
26	P2.0/IRQ2/PWM0	I/O	Multifunction Input/Output Pin. General-Purpose Input and General-Purpose Output P2.0/External Interrupt Request 2/PWM0 output.
27	DGND	S	Digital Ground.
28	DVDD	S	Digital Supply Pin.
29	NTRST	I	JTAG Reset. Input pin used for debug and download only.
30	TDO	O	JTAG Data Out. Output pin used for debug and download only.
31	TDI	I	JTAG Data In. Input pin used for debug and download only.
32	TCK	I	JTAG Clock. Input pin used for debug and download only.

¹ I = input, O = output, S = supply.

TERMINOLOGY

Conversion Rate

The conversion rate specifies the rate at which an output result is available from the ADC, once the ADC has settled.

The sigma-delta (Σ - Δ) conversion techniques used on this part mean that while the ADC front-end signal is over sampled at a relatively high sample rate, a subsequent digital filter is used to decimate the output giving a valid 24-bit data conversion result at output rates from 1 Hz to 8 kHz.

Note that when software switches from one input to another (on the same ADC), the digital filter must first be cleared and then allowed to average a new result. Depending on the configuration of the ADC and the type of filter, this can take multiple conversion cycles.

Integral Nonlinearity (INL)

INL is the maximum deviation of any code from a straight line passing through the endpoints of the transfer function. The endpoints of the transfer function are zero scale, a point $\frac{1}{2}$ LSB below the first code transition, and full scale, a point $\frac{1}{2}$ LSB above the last code transition (111 . . . 110 to 111 . . . 111). The error is expressed as a percentage of full scale.

No Missing Codes

No missing codes is a measure of the differential nonlinearity of the ADC. The error is expressed in bits and specifies the number of codes (ADC results) as $2N$ bits, where N = no missing codes, guaranteed to occur through the full ADC input range.

Offset Error

Offset error is the deviation of the first code transition ADC input voltage from the ideal first code transition.

Offset Error Drift

Offset error drift is the variation in absolute offset error with respect to temperature. This error is expressed as LSBs per $^{\circ}\text{C}$.

Gain Error

Gain error is a measure of the span error of the ADC. It is a measure of the difference between the measured and the ideal span between any two points in the transfer function.

Output Noise

The output noise is specified as the standard deviation (or $1 \times$ Sigma) of ADC output codes distribution collected when the ADC input voltage is at a dc voltage. It is expressed as μ rms. The output, or rms noise, can be used to calculate the effective resolution of the ADC as defined by the following equation:

$$\text{Effective Resolution} = \log_2(\text{Full-Scale Range}/\text{rms Noise}) \text{ bits}$$

The peak-to-peak noise is defined as the deviation of codes that fall within $6.6 \times$ Sigma of the distribution of ADC output codes collected when the ADC input voltage is at dc. The peak-to-peak noise is, therefore calculated as $6.6 \times$ the rms noise.

The peak-to-peak noise can be used to calculate the ADC (noise free code) resolution for which there is no code flicker within a 6.6-Sigma limit as defined by the following equation:

$$\text{Noise Free Code Resolution} = \log_2\left(\frac{\text{Full-Scale Range}}{\text{Peak-to-Peak Noise}}\right) \text{ bits}$$

Data Sheet Acronyms

ADC	analog-to-digital converter
ARM	advanced RISC machine
JTAG	joint test action group
LSB	least significant byte/bit
LVF	low voltage flag
MCU	microcontroller
MMR	memory mapped register
MSB	most significant byte/bit
PID	protected identifier
POR	power-on reset
PSM	power supply monitor
rms	root mean square

OVERVIEW OF THE ARM7TDMI CORE

The ARM7 core is a 32-bit, reduced instruction set computer (RISC), developed by ARM® Ltd. The ARM7TDMI is a von Neumann-based architecture, meaning that it uses a single 32-bit bus for instruction and data. The length of the data can be 8, 16, or 32 bits and the length of the instruction word is either 16 bits or 32 bits, depending on the mode in which the core is operating.

The ARM7TDMI is an ARM7 core with four additional features, as listed in Table 5.

Table 5. ARM7TDMI

Feature	Description
T	Support for the Thumb® (16-bit) instruction set
D	Support for debug
M	Enhanced multiplier
I	Includes the EmbeddedICE™ module to support embedded system debugging

THUMB MODE (T)

An ARM instruction is 32 bits long. The ARM7TDMI processor supports a second instruction set compressed into 16 bits, the Thumb instruction set. Faster code execution from 16-bit memory and greater code density is achieved by using the Thumb instruction set, making the ARM7TDMI core particularly suited for embedded applications.

However, the Thumb mode has three limitations.

- Relative to ARM, the Thumb code usually requires more instructions to perform that same task. Therefore, ARM code is best for maximizing the performance of time-critical code in most applications.
- The Thumb instruction set does not include some instructions that are needed for exception handling, so ARM code can be required for exception handling.
- When an interrupt occurs, the core vectors to the interrupt location in memory and executes the code present at that address. The first command is required to be in ARM code.

MULTIPLIER (M)

The ARM7TDMI instruction set includes an enhanced multiplier, with four extra instructions to perform 32-bit by 32-bit multiplication with a 64-bit result, and 32-bit by 32-bit multiplication-accumulation (MAC) with a 64-bit result.

EMBEDDED ICE (I)

The EmbeddedICE module provides integrated on-chip debug support for the ARM7TDMI. The EmbeddedICE module contains the breakpoint and watchpoint registers that allow nonintrusive user code debugging. These registers are controlled through the JTAG test port. When a breakpoint or watchpoint is encountered, the processor halts and enters the debug state. Once in a debug state, the processor registers can be interrogated, as can the Flash/EE, SRAM, and memory mapped registers.

ARM7 Exceptions

The ARM7 supports five types of exceptions, with a privileged processing mode associated with each type. The five types of exceptions are as follows:

Normal interrupt or IRQ. This is provided to service general-purpose interrupt handling of internal and external events. Note, that the ADuC7060 supports 8 configurable priority levels for all IRQ sources.

Fast interrupt or FIQ. This is provided to service data transfer or a communication channel with low latency.

FIQ has priority over IRQ. Note, that the ADuC7060 supports 8 configurable priority levels for all FIQ sources.

Memory abort (prefetch and data).

Attempted execution of an undefined instruction.

Software interrupts (SWI) instruction that can be used to make a call to an operating system.

Typically, the programmer defines interrupts as IRQ, but for higher priority interrupts, the programmer can define interrupts as the FIQ type.

The priority of these exceptions and vector address are listed in Table 6.

Table 6. Exception Priorities and Vector Addresses

Priority	Exception	Address
1	Hardware Reset	0x00
2	Memory Abort (Data)	0x10
3	FIQ	0x1C
4	IRQ	0x18
5	Memory Abort (Prefetch)	0x0C
6	Software Interrupt1	0x08
6	Undefined Instruction1	0x04

¹ A software interrupt and an undefined instruction exception have the same priority and are mutually exclusive.

The list of exceptions in Table 6 are located from 0x00 to 0x1C, with a reserved location at 0x14.

ARM REGISTERS

The ARM7TDMI has 16 standard registers. R0 to R12 are for data manipulation, R13 is the stack pointer, R14 is the link register, and R15 is the program counter that indicates the instruction currently being executed. The link register contains the address from which the user has branched (if the branch and link command was used) or the command during which an exception occurred.

The stack pointer contains the current location of the stack. Generally, on an ARM7TDMI, the stack starts at the top of the available RAM area and descends using the area as required. A separate stack is defined for each of the exceptions. The size of each stack is user configurable and is dependent on the target application. When programming using high level languages,

such as C, it is necessary to ensure that the stack does not overflow. This is dependent on the performance of the compiler that is used.

When an exception occurs, some of the standard registers are replaced with registers specific to the exception mode. All exception modes have replacement banked registers for the stack pointer (R13) and the link register (R14) as represented in Figure 4. The FIQ mode has more registers (R8 to R12) supporting faster interrupt processing. With the increased number of noncritical registers, the interrupt can be processed without the need to save or restore these registers, thereby reducing the response time of the interrupt handling process.

More information relative to the programmer’s model and the ARM7TDMI core architecture can be found in ARM7TDMI technical and ARM architecture manuals available directly from ARM Ltd.

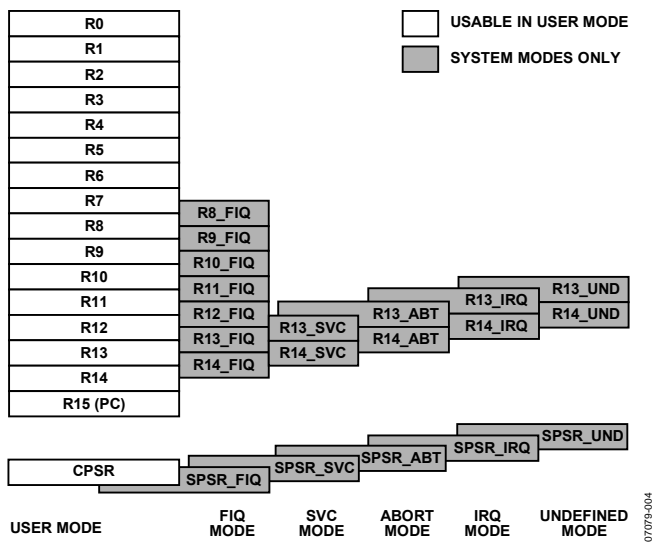


Figure 4. Register Organization

INTERRUPT LATENCY

The worst-case latency for an FIQ consists of the longest time the request can take to pass through the synchronizer, plus the time for the longest instruction to complete (the longest instruction is an LDM) that loads all the registers including the PC, plus the time for the data abort entry, plus the time for FIQ entry. At the end of this time, the ARM7TDMI is executing the instruction at 0x1C (FIQ interrupt vector address). The maximum total time is 50 processor cycles, or just over 4.88 μs in a system using a continuous 10.24 MHz processor clock. The maximum IRQ latency calculation is similar, but must allow for the fact that FIQ has higher priority and could delay entry into the IRQ handling routine for an arbitrary length of time. This time can be reduced to 42 cycles if the LDM command is not used; some compilers have an option to compile without using this command. Another option is to run the part in Thumb mode where this is reduced to 22 cycles.

The minimum latency for FIQ or IRQ interrupts is five cycles. This consists of the shortest time the request can take through the synchronizer plus the time to enter the exception mode.

Note that the ARM7TDMI initially (first instruction) runs in ARM (32-bit) mode when an exception occurs. The user can immediately switch from ARM mode to Thumb mode if required, for example, when executing interrupt service routines.

MEMORY ORGANIZATION

The ARM7, a von Neumann architecture MCU core sees memory as a linear array of 232-byte locations. As shown in Figure 5, the ADuC7060 maps this into four distinct user areas, namely: a memory area that can be remapped, an SRAM area, a Flash/EE area, and a memory mapped register (MMR) area.

The first 30 kB of this memory space is used as an area into which the on-chip Flash/EE or SRAM can be remapped. Any access, either reading or writing, to an area not defined in the memory map results in a data abort exception.

Memory Format

The ADuC706x memory organization is configured in little endian format: the least significant byte is located in the lowest byte address and the most significant byte in the highest byte address. See Figure 6 for details.

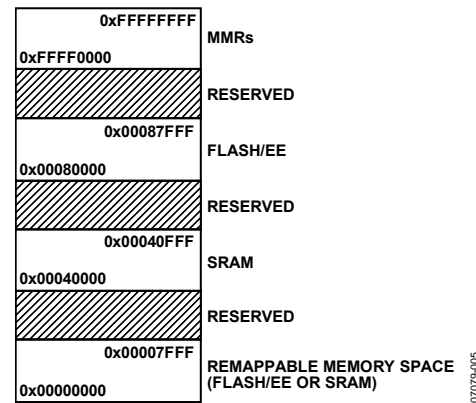


Figure 5. ADuC706x Memory Map

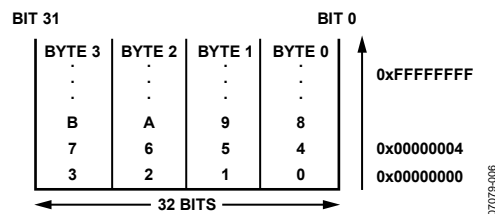


Figure 6. Little Endian Format

SRAM

The ADuC706x features 4 kB of SRAM, organized as 1024 × 32 bits, that is, 1024 words located at 0x40000.

The RAM space can be used as data memory as well as volatile program space.

ARM code can run directly from SRAM at full clock speed given that the SRAM array is configured as a 32-bit wide memory array. SRAM is read/writable in 8-, 16-, and 32-bit segments.

Remap

The ARM exception vectors are all situated at the bottom of the memory array, from Address 0x00000000 to Address 0x00000020.

By default, after a reset, the Flash/EE memory is logically mapped to Address 0x00000000.

It is possible to logically remap the SRAM to Address 0x00000000 by setting Bit 0 of the SYMAP0 MMR located at 0xFFFF0220. To revert Flash/EE to 0x00000000, Bit 0 of REMAP is cleared.

It is sometimes desirable to remap RAM to 0x00000000 to optimize the interrupt latency of the ADuC706x because code can run in full 32-bit ARM mode and at maximum core speed. Note that when an exception occurs, the core defaults to ARM mode.

Remap Operation

When a reset occurs on the ADuC706x, execution starts automatically in the factory programmed internal configuration code. This so-called kernel is hidden and cannot be accessed by user code. If the ADuC706x is in normal mode, it executes the power-on configuration routine of the kernel and then jumps to the reset vector, Address 0x00000000, to execute the user's reset exception routine. Because the Flash/EE is mirrored at the bottom of the memory array at reset, the reset routine must always be written in Flash/EE.

The remap command must be executed from the absolute Flash/EE address, and not from the mirrored, remapped segment of memory, as this may be replaced by SRAM. If a remap operation is executed while operating code from the mirrored location, prefetch/data aborts can occur or the user can observe abnormal program operation.

Any kind of reset logically remaps the Flash/EE memory to the bottom of the memory array.

REMAP Register

Name: REMAP

Address: 0xFFFF0220

Default value: Updated by the kernel

Access: Read/write access

Function: This 8-bit register allows user code to remap either RAM or Flash/EE space into the bottom of the ARM memory space starting at Address 0x00000000.

Table 7. REMAP MMR Bit Designations

Bit	Description
7 to 1	Reserved. These bits are reserved and should be written as 0 by user code.
0	Remap Bit. Set by the user to remap the SRAM to 0x00000000. Cleared automatically after reset to remap the Flash/EE memory to 0x00000000.

FLASH/EE CONTROL INTERFACE

Serial and JTAG programming use the Flash/EE control interface, which includes the eight MMRs outlined in this section.

FEESTA Register

FEESTA is a read-only register that reflects the status of the flash control interface as described in Table 7.

Name: FEESTA

Address: 0xFFFF0E00

Default value: 0x20

Access: Read

Table 7. FEESTA MMR Bit Designations

Bit	Description
15:6	Reserved.
5	Reserved.
4	Reserved.
3	Flash Interrupt Status Bit. Set automatically when an interrupt occurs, that is, when a command is complete and the Flash/EE interrupt enable bit in the FEEMOD register is set. Cleared when reading FEESTA register.
2	Flash/EE Controller Busy. Set automatically when the controller is busy. Cleared automatically when the controller is not busy.
1	Command Fail. Set automatically when a command completes unsuccessfully. Cleared automatically when reading the FEESTA register.
0	Command Pass. Set by the MicroConverter® when a command completes successfully. Cleared automatically when reading the FEESTA register.

FEEMOD Register

FEEMOD sets the operating mode of the flash control interface. Table 8 shows FEEMOD MMR bit designations.

Name: FEEMOD

Address: 0xFFFF0804

Default value: 0x0000

Access: Read/write

Table 8. FEEMOD MMR Bit Designations

Bit	Description
15:9	Reserved.
8	Reserved. Always set this bit to 0.
7:5	Reserved. Always set these bits to 0 except when writing keys.
4	Flash/EE Interrupt Enable. Set by user to enable the Flash/EE interrupt. The interrupt occurs when a command is complete. Cleared by user to disable the Flash/EE interrupt.
3	Erase/Write Command Protection. Set by user to enable the erase and write commands. Cleared to protect the Flash against erase/write command.
2:0	Reserved. Always set these bits to 0.

FEECON Register

FEECON is an 8-bit command register. The commands are described in Table 9.

Name:	FEECON
Address:	0xFFFF0808
Default value:	0x0
Access:	Read/write

Table 9. Command Codes in FEECON

Code	Command	Description
0x00 ¹	Null	Idle State.
0x01 ¹	Single Read	Load FEEDAT with the 16-bit data. Indexed by FEEADR.
0x02 ¹	Single Write	Write FEEDAT at the address pointed by FEEADR. This operation takes 50 μ s.
0x03 ¹	Erase/Write	Erase the page indexed by FEEADR and write FEEDAT at the location pointed by FEEADR. This operation takes approximately 24 ms.
0x04 ¹	Single Verify	Compare the contents of the location pointed by FEEADR to the data in FEEDAT. The result of the comparison is returned in FEESTA Bit 1.
0x05 ¹	Single Erase	Erase the page indexed by FEEADR.
0x06 ¹	Mass Erase	Erase 30 kB of user space. The 2 kB of kernel are protected. To prevent accidental execution, a command sequence is required to execute this instruction. See the Command Sequence for Executing a Mass Erase section.
0x07	Reserved	Reserved.
0x08	Reserved	Reserved.
0x09	Reserved	Reserved.
0x0A	Reserved	Reserved.
0x0B	Signature	This command results in a 24-bit LFSR based signature been generated and loaded into FEESIG MMR. This operation takes 16,389 clock cycles.
0x0C	Protect	This command can run only once. The value of FEEPRO is saved and removed only with a mass erase (0x06) or the key.
0x0D	Reserved	Reserved.
0x0E	Reserved	Reserved.
0x0F	Ping	No operation; interrupt generated.

¹ The FEECON register always reads 0x07 immediately after execution of any of these commands.

FEEDAT Register

FEEDAT is a 16-bit data register. This register holds the data value for flash read and write commands.

Name: FEEDAT
 Address: 0xFFFF080C
 Default value: 0XXXXX
 Access: Read/write

FEEADR Register

FEEADR is a 16-bit address register used for accessing individual pages of the 32 kB flash block. The valid address range for a user is: 0x0000 – 0x77FF. this represents the 30 kB flash user memory space. A read or write access outside this boundary causes a data abort exception to occur.

Name FEEADR
 Address 0xFFFF0810
 Default value 0x0000
 Access Read/write

FEESIGN Register

The FEESIGN register is a 24-bit MMR. This register is updated with the 24-bit signature value after the signature command has been executed. This value is the result of the linear feedback shift register (LFSR)operation initiated by the signature command.

Name: FEESIGN
 Address: 0xFFFF0818
 Default value: 0FFFFFFF
 Access: Read

FEEPRO Register

FEEPRO MMR provides protection following a subsequent reset of the MMR. It requires a software key (see Table 10).

Name: FEEPRO
 Address: 0xFFFF081C
 Default value: 0x00000000
 Access: Read/write

FEEHIDE Register

FEEHIDE MMR provides immediate protection. It does not require any software key. Note that the protection settings in FEEHIDE are cleared by a reset (see Table 10).

Name: FEEHIDE
 Address: 0xFFFF0820
 Default value: 0FFFFFFF
 Access: Read/write

Table 10. FEEPRO and FEEHIDE MMR Bit Designations

Bit	Description
31	Read Protection. Cleared by user to protect all code. – no JTAG read accesses for protected pages if this bit is set. Set by user to allow reading the code via JTAG.
30	Protection for Page 59 (0x00087600 – 0x000877FF. Set by user to allow writing the Page 59. Cleared to protect Page 59.
29	Protection for Page 58 (0x00087400 – 0x000875FF. Set by user to allow writing the Page 58. Cleared to protect Page 58.
28:0	Write Protection for Page 57 to Page 0. Each bit represents 2 pages. Each page is 512 bytes in size. Bit0 is protection for Page 0 and Page 1 (0x00080000 – 0x000803FF. Set by the user to allow writing Page 0 and Page 1. Cleared to protect Page 0 and Page 1. Bit1 is protection for Page 2 and Page 3 (0x00080400 – 0x000807FF. Set by the user to allow writing Page 2 and Page 3. Cleared to protect Page 2 and Page 3. Bit27 is protection for Page 54 and Page 55 (0x00087000 – 0x000873FF. Set by the user to allow writing Page 54 and Page 55. Cleared to protect Page 54 and Page 55. Bit28 is protection for Page 56 and Page 57 (0x00087400 – 0x000877FF. Set by the user to allow writing Page 56 and Page 57. Cleared to protect Page 56 and Page 57.

Command Sequence for Executing a Mass Erase

```
FEEDAT = 0x3CFF;
FEEADR = 0x77C3;
FEEMOD = FEEMOD | 0x8; //Erase key enable
FEECON = 0x06; //Mass erase command
```

MEMORY MAPPED REGISTERS

The memory mapped register (MMR) space is mapped into the upper two pages of the memory array, and accessed by indirect addressing through the ARM7 banked registers.

The MMR space provides an interface between the CPU and all on-chip peripherals. All registers, except the core registers, reside in the MMR area. All shaded locations shown in 5 are unoccupied or reserved locations, and should not be accessed by user software. Figure 7 shows the full MMR memory map.

The access time for reading from or writing to an MMR depends on the advanced microcontroller bus architecture (AMBA) bus used to access the peripheral. The processor has two AMBA busses: advanced high performance bus (AHB) used for system modules, and advanced peripheral bus (APB) used for a lower performance peripheral. Access to the AHB is one cycle, and access to the APB is two cycles. All peripherals on the ADuC706x are on the APB except the Flash/EE memory, the GPIOs, and the PWM.

0xFFFFFFFF	
0xFFFF0FC0	PWM
0xFFFF0F80	
0xFFFF0E24	FLASH CONTROL INTERFACE
0xFFFF0E00	
0xFFFF0D50	GPIO
0xFFFF0D00	
0xFFFF0A14	SPI
0xFFFF0A00	
0xFFFF0948	I ² C
0xFFFF0900	
0xFFFF0730	UART
0xFFFF0700	
0xFFFF0620	DAC
0xFFFF0600	
0xFFFF0570	ADC
0xFFFF0500	
0xFFFF0490	BANDGAP REFERENCE
0xFFFF048C	
0xFFFF0470	SPI/I ² C SELECTION
0xFFFF0450	
0xFFFF0420	PLL AND OSCILLATOR CONTROL
0xFFFF0404	
0xFFFF0394	GENERAL PURPOSE TIMER
0xFFFF0380	
0xFFFF0370	WATCHDOG TIMER
0xFFFF0360	
0xFFFF0350	WAKE UP TIMER
0xFFFF0340	
0xFFFF0334	GENERAL PURPOSE TIMER
0xFFFF0320	
0xFFFF0238	REMAP AND SYSTEM CONTROL
0xFFFF0220	
0xFFFF0140	INTERRUPT CONTROLLER
0xFFFF0000	

07079-007

Figure 7. Memory Mapped Registers

COMPLETE MMR LISTING

In the following MMR tables, addresses are listed in hex code. Access types include R for read, W for write, and RW for read and write.

Table 11. IRQ Address Base = 0xFFFF0000

Address	Name	Byte	Access Type	Default Value	Description
0x0000	IRQSTA	4	R	0x00000000	Active IRQ Source.
0x0004	IRQSIG	4	R		Current State of All IRQ Sources (Enabled and Disabled).
0x0008	IRQEN	4	RW	0x00000000	Enabled IRQ Sources.
0x000C	IRQCLR	4	W		MMR to Disable IRQ Sources.
0x0010	SWICFG	4	W		Software Interrupt Configuration MMR.
0x0014	IRQBASE	4	R/W	0x00000000	Base Address of all Vectors. Points to start of 64-byte memory block which can contain up to 32 pointers to separate subroutine handlers.
0x001C	IRQVEC	4	R	0x00000000	This register contains the subroutine address for the currently active IRQ source.
0x0020	IRQP0	4	R/W	0x00000000	Contains the interrupt priority setting for interrupt Source 1 to Source 7. An interrupt can have a priority setting of 0 to 7. For example: Bits[7:4] contain the priority level for Interrupt 1. Bits[11:8] contain the priority level for Interrupt 2. Bits[31:28] contain the priority level for Interrupt 7.
0x0024	IRQP1	4	R/W	0x00000000	Contains the interrupt priority setting for Interrupt Source 8 to Interrupt Source 15. For example: Bits[7:4] contain the priority level for Interrupt 9. Bits[11:8] contain the priority level for Interrupt 10. Bits[31:28] contain the priority level for Interrupt 15.
0x0028	IRQP2	4	R/W	0x00000000	Contains the interrupt priority setting for Interrupt Source 16 to Interrupt Source 19.
0x002C	RESERVED	4	R/W	0x00000000	Reserved.
0x0030	IRQCONN	4	R/W	0x00000000	Used to enable IRQ and FIQ interrupt nesting.
0x0034	IRQCONE	4	R/W	0x00000000	Configures the external interrupt sources as either rising edge, falling edge, or level triggered.
0x0038	IRQCLRE	4	R/W	0x00000000	Used to clear an edge level triggered interrupt source.
0x003C	IRQSTAN	4	R/W	0x00000000	This register indicates the priority level of an interrupt that has just caused an interrupt exception.
0x0100	FIQSTA	4	R	0x00000000	Active FIQ Source.
0x0104	FIQSIG	4	R		Current State of All FIQ Sources (Enabled and Disabled).
0x0108	FIQEN	4	RW	0x00000000	Enabled FIQ Sources.
0x010C	FIQCLR	4	W		MMR to Disable FIQ Sources.
0x011C	FIQVEC	4	R	0x00000000	FIQ Interrupt Vector.
0x013C	FIQSTAN	4	R	0x00000000	Indicates the priority level of an FIQ that has just caused an FIQ exception.

Table 12. System Control Address Base = 0xFFFF0200

Address	Name	Byte	Access Type	Default Value	Description
0x0220	REMAP ¹	1	R/W	0x00	REMAP Control Register. See the Remap Operation section.
0x0230	RSTSTA	1	R/W	0x01	RSTSTA Status MMR. See the Reset section.
0x0234	RSTCLR	1	W	0x00	RSTCLR MMR for clearing RSTSTA register.

¹Updated by kernel.

Table 13. Timer Address Base = 0xFFFF0300

Address	Name	Byte	Access Type	Default Value	Description
0x0320	T0LD	4	RW	0x00000000	Timer0 Load Register.
0x0324	T0VAL	4	R	0xFFFFFFFF	Timer0 Value Register.
0x0328	T0CON	4	RW	0x01000000	Timer0 Control MMR.
0x032C	T0CLR1	1	W	N/A	Timer0 Interrupt Clear Register.
0x0330	T0CAP	4	R	0x00000000	Timer0 Capture Register.
0x0340	T1LD	4	RW	0x00000000	Timer1 Load Register.
0x0344	T1VAL	4	R	0xFFFFFFFF	Timer1 Value Register
0x0348	T1CON	2	RW	0x0000	Timer1 Control MMR.
0x034C	T1CLR1	1	W	N/A	Timer1 Interrupt Clear Register
0x0360	T2LD	2	RW	0x0040	Timer2 Load Register.
0x0364	T2VAL	2	R	0x0040	Timer2 Value Register.
0x0368	T2CON	2	RW	0x0100	Timer2 Control MMR.
0x036C	T2CLR1	1	W	N/A	Timer2 Interrupt Clear Register.
0x0380	T3LD	2	RW	0x0000	Timer3 Load Register.
0x0384	T3VAL	2	R	0xFFFF	Timer3 Value Register.
0x0388	T3CON	4	RW	0x00000000	Timer3 Control MMR.
0x038C	T3CLR1	1	W	N/A	Timer3 Interrupt Clear Register.
0x0390	T3CAP	2	R	0x0000	Timer3 Capture Register.

Table 14. PLL Base Address = 0xFFFF0400

Address	Name	Byte	Access Type	Default Value	Description
0x0404	POWKEY1	2	W	N/A	POWCON Prewrite Key
0x0408	POWCON0	1	RW	0x7B	Power Control and Core Speed Control Register.
0x040C	POWKEY2	4	W	N/A	POWCON Postwrite Key..
0x0410	PLLKEY1	4	W	N/A	PLLCON Prewrite Key.
0x0414	PLLCON	1	RW	0x00	PLL Clock Source Selection MMR.
0x0418	PLLKEY2	4	W	N/A	PLLCON Postwrite Key.
0x0464	GPOKEY1	4	R/W	0x00	GPOCON1 Prewrite Key.
0x0468	GPOCON1	1	R/W	0x00	Configures P0.0, P0.1, P0.2, and P0.3 as analog inputs or digital I/Os. Also enables SPI or I ² C mode.
0x046C	GPOKEY2	4	R/W	0x00	GPOCON1 Postwrite Key.

Table 15. ADC Address Base = 0xFFFF0500

Address	Name	Byte	Access Type	Default Value	Description
0x0500	ADCSTA	2	R	0x0000	ADC Status MMR.
0x0504	ADCMSKI	2	R/W	0x0000	ADC Interrupt Source Enable MMR.
0x0508	ADCMDE	2	R/W	0x0003	ADC Mode Register.
0x050C	ADC0CON	2	R/W	0x8000	Primary ADC Control MMR.
0x0510	ADC1CON	2	R/W	0x0000	Auxiliary ADC Control MMR.
0x0514	ADCFLT	2	R/W	0x0007	ADC Filter Control MMR.
0x0518	ADCCFG	2	R/W	0x0000	ADC Configuration MMR.
0x051C	ADC0DAT	4	R/W	0x00000000	Primary ADC Result MMR.
0x0520	ADC1DAT	4	R/W	0x00000000	Auxiliary ADC Result MMR
0x0524	ADC0OF	2	R/W	0x0000	Primary ADC Offset Calibration Setting.
0x0528	ADC1OF	2	R/W	0x0000	Auxiliary ADC Offset MMR.
0x052C	ADC0GN	2	R/W	0x5555	Primary ADC Offset MMR.
0x0530	ADC1GN	2	R/W	0x5555	Auxiliary ADC Offset MMR. See the Gain Calibration section.
0x0534	ADCORCR	2	R/W	0x0001	Primary ADC Result Counter/Reload MMR.
0x0538	ADCORCV	2	R	0x0000	Primary ADC Result Counter MMR.
0x053C	ADCOTH	2	R/W	0x0000	Primary ADC 16-bit Comparator Threshold MMR.
0x0540	ADCOTHC	2	R/W	0x0001	Primary ADC 16-bit Comparator Threshold Counter Limit.
0x0544	ADCOTHV	2	R/W	0x0000	
0x0548	ADCOACC	4	R/W	0x00000000	Primary ADC Accumulator.
0x054C	ADCOATH	4	R/W	0x00000000	Primary ADC 32-Bit Comparator Threshold MMR.
0x0570	IEXCON	1	R/W	0x00	Excitation Current Sources Control Register.

¹ Updated by kernel. {Where is this endnote in the table?}

Table 16. DAC Control Address Base = 0xFFFF0600

Address	Name	Byte	Access Type	Default Value	Description
0x0600	DACCON	1	R/W	0x00	DAC Control Register.
0x0604	DAC0DAT	4	R/W	0x00000000	DAC Output Data Register.

Table 17. UART Base Address = 0xFFFF0700

Address	Name	Byte	Access Type	Default Value	Description
0x0700	COMTX	1	W	N/A	UART Transmit Register.
0x0700	COMRX	1	R	0x00	UART Receive Register.
0x0700	COMDIV0	1	RW	0x00	UART Standard Baud Rate Generator Divisor Value 0.
0x0704	COMIEN0	1	RW	0x00	UART Interrupt Enable MMR 0.
0x0704	COMDIV1	1	R/W	0x00	UART Standard Baud Rate Generator Divisor Value 1.
0x0708	COMIID0	1	R	0x01	UART Interrupt Identification 0.
0x070C	COMCON0	1	RW	0x03	UART Control Register 0.
0x0710	COMCON1	1	RW	0x00	UART Control Register 1.
0x0714	COMSTA0	1	R	0x60	UART Status Register 0.
0x072C	COMDIV2	2	RW	0x0000	UART Fractional Divider MMR.

Table 18. I²C Base Address = 0XFFFF0900

Address	Name	Byte	Access Type	Default Value	Description
0x0900	I2CMCON	2	R/W	0x0000	I ² C master Control register.
0x0904	I2CMSTA	2	R	0x0000	I ² C master Status register.
0x0908	I2CMRX	1	R	0x00	I ² C master Receive register.
0x090C	I2CMTX	1	W	0x00	I ² C master Transmit register.
0x0910	I2CMCNT0	2	R/W	0x0000	I ² C master Read Count register. Write the number of required bytes into this register prior to reading from a slave device.
0x0914	I2CMCNT1	1	R	0x00	I ² C master Current Read count register. This register contains the number of bytes already received during a read from slave sequence.
0x0918	I2CADR0	1	R/W	0x00	Address byte register. Write the required slave address in here prior to communications.
0x091C	I2CADR1	1	R/W	0x00	Address byte register. Write the required slave address in here prior to communications. Only used in 10-bit mode.
0x0924	I2CDIV	2	R/W	0x1F1F	I ² C clock control register. Used to configure the SCLK frequency.
0x0928	I2CSCON	2	R/W	0x0000	I ² C slave Control register.
0x092C	I2CSSTA	2	R/W	0x0000	I ² C slave Status register.
0x0930	I2CSRX	1	R/W	0x00	I ² C slave Receive register.
0x0934	I2CSTX	1	R/W	0x00	I ² C slave Transmit register.
0x0938	I2CALT	1	R/W	0x00	I ² C Hardware General Call recognition register.
0x093C	I2CID0	1	R/W	0x00	I ² C Slave ID0 register. Slave bus ID register
0x0940	I2CID1	1	R/W	0x00	I ² C Slave ID1 register. Slave bus ID register
0x0944	I2CID2	1	R/W	0x00	I ² C Slave ID2 register. Slave bus ID register
0x0948	I2CID3	1	R/W	0x00	I ² C Slave ID3 register. Slave bus ID register
0x094C	I2CFSTA	2	R/W	0x0000	I ² C FIFO Status register. Used in both master + slave modes

Table 19. SPI Base Address = 0xFFFF0A00

Address	Name	Byte	Access Type	Default Value	Description
0x0A00	SPISTA	4	R	0x00000000	SPI Status MMR.
0x0A04	SPIRX	1	R	0x00	SPI Receive MMR.
0x0A08	SPI TX	1	W		SPI Transmit MMR.
0x0A0C	SPI DIV	1	RW	0x1B	SPI Baud Rate Select MMR.
0x0A10	SPI CON	2	RW	0x00	SPI Control MMR.

Table 20. GPIO Base Address = 0xFFFF0D00

Address	Name	Byte	Access Type	Default Value	Description
0x0D00	GP0CON	4	RW	0x00000000	GPIO Port0 Control MMR.
0x0D04	GP1CON	4	RW	0x00000000	GPIO Port1 Control MMR.
0x0D08	GP2CON	4	RW	0x00000000	GPIO Port2 Control MMR.
0x0D20	GP0DAT	4	RW	0x000000EF	GPIO Port0 Data Control MMR.
0x0D24	GP0SET	4	W	0x000000EF	GPIO Port0 Data Set MMR.
0x0D28	GP0CLR	4	W	0x000000EF	GPIO Port0 Data Clear MMR.
0x0D2C	GP0PAR	4	W	0x00000000	GPIO Port0 Pull-Up Disable MMR.
0x0D30	GP1DAT	4	RW	0x000000FF	GPIO Port1 Data Control MMR.
0x0D34	GP1SET	4	W	0x000000FF	GPIO Port1 Data Set MMR.
0x0D38	GP1CLR	4	W	0x000000FF	GPIO Port1 Data Clear MMR.
0x0D3C	GP1PAR	4	W	0x00000000	GPIO Port1 Pull-Up Disable MMR.
0x0D40	GP2DAT	4	RW	0x000000FF	GPIO Port2 Data Control MMR.
0x0D44	GP2SET	4	W	0x000000FF	GPIO Port2 Data Set MMR.
0x0D48	GP2CLR	4	W	0x000000FF	GPIO Port2 Data Clear MMR.
0x0D4C	GP2PAR	4	W	0x00000000	GPIO Port2 Pull-up Disable MMR.

Table 21. Flash/EE Base Address = 0xFFFF0E00

Address	Name	Byte	Access Type	Default Value	Description
0x0E00	FEESTA	1	R	0x20	Flash/EE Status MMR.
0x0E04	FEEMOD	1	RW	0x00	Flash/EE Control MMR.
0x0E08	FEECON	1	RW	0x07	Flash/EE Control MMR.
0x0E0C	FEEDAT	2	RW	0x0000	Flash/EE Data MMR.
0x0E10	FEEADR	2	RW	0x0000	Flash/EE Address MMR.
0x0E18	FEESIG	3	R	0xFFFFFFFF	Flash/EE LFSR MMR.
0x0E1C	FEEPRO	4	RW	0x00000000	Flash/EE Protection MMR.
0x0E20	FEEHID	4	RW	0xFFFFFFFF	Flash/EE Protection MMR.

Table 22. PWM Base Address = 0xFFFF0F80

Address	Name	Byte	Access Type	Default Value	Description
0x0F80	PWMCON	2	R/W	0x0000	PWM Control register. See PWM section for full details.
0x0F84	PWM0COM0	2	R/W	0x0000	Compare Register 0 for PWM Output 0 and PWM Output 1.
0x0F88	PWM0COM1	2	R/W	0x0000	Compare Register 1 for PWM Output 0 and PWM Output 1.
0x0F8C	PWM0COM2	2	R/W	0x0000	Compare Register 2 for PWM Output 0 and PWM Output 1.
0x0F90	PWM0LEN	2	R/W	0x0000	Frequency Control for PWM outputs 0 and PWM Output 1.
0x0F94	PWM1COM0	2	R/W	0x0000	Compare Register 0 for PWM Output 2 and PWM Output 3.
0x0F98	PWM1COM1	2	R/W	0x0000	Compare Register 1 for PWM Output 2 and PWM Output 3.
0x0F9C	PWM1COM2	2	R/W	0x0000	Compare Register 2 for PWM Output 2 and PWM Output 3.
0x0FA0	PWM1LEN	2	R/W	0x0000	Frequency Control for PWM Output 2 and PWM Output 3.
0x0FA4	PWM2COM0	2	R/W	0x0000	Compare Register 0 for PWM Output 4 and PWM Output 5.
0x0FA8	PWM2COM1	2	R/W	0x0000	Compare Register 1 for PWM Output 4 and PWM Output 5.
0x0FAC	PWM2COM2	2	R/W	0x0000	Compare Register 2 for PWM Output 4 and PWM Output 5.
0x0FB0	PWM2LEN	2	R/W	0x0000	Frequency Control for PWM Output 4 and PWM Output 5.
0x0FB8	PWMCLRI	2	R/W	0x0000	PWM Interrupt Clear Register. Writing any value to this register clears a PWM interrupt source.

RESET

There are four kinds of reset: external reset, power-on-reset, watchdog reset, and software reset. The RSTSTA register indicates the source of the last reset and can be written by user code to initiate a software reset event.

The bits in this register can be cleared to 0 by writing to the RSTCLR MMR at 0xFFFF0234. The bit designations in RSTCLR mirror those of RSTSTA. These registers can be used during a reset exception service routine to identify the source of the reset. The implications of all four kinds of reset events are tabulated in Table 24.

RSTSTA Register

Name: RSTSTA
 Address: 0xFFFF0230
 Default value: Depends on type of reset
 Access: Read/write access
 Function: This 8-bit register indicates the source of the last reset event and can be written by user code to initiate a software reset.

RSTCLR Register

Name: RSTCLR
 Address: 0xFFFF0234
 Access: Write only
 Function: This 8-bit write only register clears the corresponding bit in RSTSTA.

Table 23. RSTSTA/RSTCLR MMR Bit Designations

Bit	Description
7 to 4	Not Used. These bits are not used and always read as 0.
3	External Reset. Automatically set to 1 when an external reset occurs. This bit is cleared by setting the corresponding bit in RSTCLR.
2	Software Reset. This bit is set to 1 by user code to generate a software reset. This bit is cleared by setting the corresponding bit in RSTCLR. ¹
1	Watchdog Timeout. Automatically set to 1 when a watchdog timeout occurs. Cleared by setting the corresponding bit in RSTCLR.
0	Power-On Reset. Automatically Set when a power-on-reset occurs. Cleared by setting the corresponding bit in RSTCLR.

¹ If the software reset bit in RSTSTA is set, any write to RSTCLR that does not clear this bit generates a software reset.

Table 24. Device Reset Implications

RESET	Reset External Pins to Default State	Kernel Executed	Reset All External MMRs (Excluding RSTSTA)	Peripherals Reset	Watchdog Timer Reset	RAM Valid	RSTSTA (Status After Reset Event)
POR	Yes	Yes	Yes	Yes	Yes	Yes/No	RSTSTA[0] = 1
Watchdog	Yes	Yes	Yes	Yes	No	Yes	RSTSTA[1] = 1
Software	Yes	Yes	Yes	Yes	No	Yes	RSTSTA[2] = 1
External Pin	Yes	Yes	Yes	Yes	No	Yes	RSTSTA[3] = 1

OSCILLATOR, PLL AND POWER CONTROL

Clocking System

Each ADuC7060 integrates a 32.768 kHz $\pm 3\%$ oscillator, a clock divider, and a PLL. The PLL locks onto a multiple of the internal oscillator or an external 32.768 kHz crystal to provide a stable 10.24 MHz clock (UCLK) for the system. To allow power saving, the core can operate at this frequency, or at binary submultiples of it. The actual core operating frequency, $UCLK/2^{CD}$, is referred to as HCLK. The default core clock is the PLL clock divided by 8 (CD = 3) or 1.28 MHz.

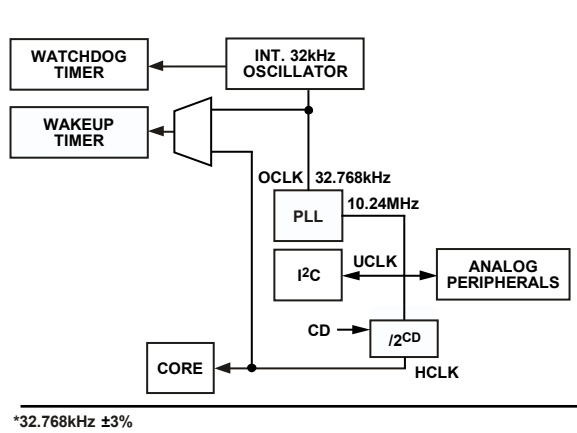


Figure 8. Clocking System

The selection of the clock source is in the PLLCON register. By default, the part uses the internal oscillator feeding the PLL.

Power Control System

The core clock frequency is changed by writing to the POWCON0 register. This is a key protected register therefore, registers POWKEY1 and POWKEY2 must be written to immediately before and after configuring the POWCON0 register. The following is a simple example showing how to configure the core clock for 10.24 MHz:

```
POWKEY1 = 0x1;
POWCON0 = 0x78; //Set core to max CPU
//speed of 10.24 MHz
POWKEY2 = 0xF4;
```

A choice of operating modes is available on the ADuC7060. Table below describes what part is powered on in the different modes and indicates the power-up time.

Table 26 gives some typical values of the total current consumption (analog + digital supply currents) in the different modes, depending on the clock divider bits. The ADC is turned off. Note that these values also include current consumption of the regulator and other parts on the test board where these values are measured.

Table 25.

POWCON[6:3]	Mode	Core	Peripherals	PLL	XTAL/T2/T3	IRQ0 to IRQ3	Start-Up/Power-On Time
1111	Active	X	X	X	X	X	
1110	Pause		X	X	X	X	
1100	Nap			X	X	X	
1000	Sleep				X	X	
0000	Stop					X	

Table 26. Typical Current Consumption at 25°C in mA

POWCON[6:3]	Mode	CD = 0	CD = 1	CD = 2	CD = 3	CD = 4	CD = 5	CD = 6	CD = 7
1111	Active	TBD	TBD	TBD	TBD	TBD	TBD	TBD	TBD
1110	Pause	TBD	TBD	TBD	TBD	TBD	TBD	TBD	TBD
1100	Nap	TBD	TBD	TBD	TBD	TBD	TBD	TBD	TBD
1000	Sleep	TBD	TBD	TBD	TBD	TBD	TBD	TBD	TBD
0000	Stop	TBD	TBD	TBD	TBD	TBD	TBD	TBD	TBD

Power and Clock Control Registers

Name:	POWKEY1	Name:	POWCON0
Address:	0xFFFF0404	Address:	0xFFFF0408
Default Value:	0XXXXX	Default Value:	0x7B
Access:	Write	Access:	Read/write
Function:	When writing to POWCON0, the value 0x01 must be written to this register in the instruction immediately before writing to POWCON0	Function:	This register controls the clock divide bits controlling the CPU clock (HCLK)

Table 27. POWCON0 MMR Bit Designations

Bit	Name	Description
7	Reserved	This bit must always be set to 0.
6	XPD	XTAL Power Down. Cleared by the user to power-down the external crystal circuitry. Set by the user to enable the external crystal circuitry.
5	PLLPD	PLL Power Down. Timer peripherals power down if driven from the PLL output clock. Timers driven from an active clock source remain in normal power mode. This bit is cleared to 0 to power-down the PLL. The PLL cannot be powered down if either the core or peripherals are enabled: Bit 3, Bit 4, and Bit 5 must be cleared simultaneously. Set by default, and set by hardware on a wake-up event.
4	PPD	Peripherals Power Down. The peripherals that are powered down by this bit are as follows: SRAM, Flash/EE memory and GPIO interfaces, and SPI/I ² C and UART serial ports. Cleared to power-down the peripherals. The peripherals cannot be powered down if the core is enabled: Bit 3 and Bit 4 must be cleared simultaneously. Set by default, and/or by hardware, on a wake-up event. Wake-up timer (Timer1) can still be active
3	COREPD	Core Power Down. If user code powers down the MCU, include a dummy MCU cycle after the power-down command is written to POWCON. Cleared to power-down the ARM core. Set by default and set by hardware on a wake-up event.
2 to 0	CD[2:0]	Core clock depends on CD setting: [000] = 10.24 MHz [001] = 5.12 MHz [010] = 2.56 MHz [011] = 1.28 MHz [default value] [100] = 640 kHz [101] = 320 kHz [110] = 160 kHz [111] = 80 kHz

Name: POWKEY2
 Address: 0xFFFF040C
 Default Value: 0XXXXX
 Access: Write
 Function: When writing to POWCON0, the value 0xF4 must be written to this register in the instruction immediately after writing to POWCON0

Name: PLLKEY1
 Address: 0xFFFF0410
 Default Value: 0XXXXX
 Access: Write
 Function: When writing to the PLLCON register, the value 0xAA must be written to this register in the instruction immediately before writing to PLLCON

Name: PLLCON
 Address: 0xFFFF0414
 Default Value: 0x00
 Access: Read/Write
 Function: This register selects the clock input to the PLL.

Table 28. PLLCON MMR Bit Designations

Bit	Name	Description
7 to 2	Reserved	These bits must always be set to 0.
1 to 0	OSEL	Oscillator Selection bits: [00] = Internal 32,768 Hz Oscillator [01] = Internal 32,768 Hz Oscillator [10] = External Crystal [11] = Internal 32,768 Hz Oscillator

Name: PLLKEY2
 Address: 0xFFFF0418
 Default Value: 0XXXXX
 Access: Write
 Function: When writing to PLLCON, the value 0x55 must be written to this register in the instruction immediately after writing to PLLCON.

ADC CIRCUIT INFORMATION

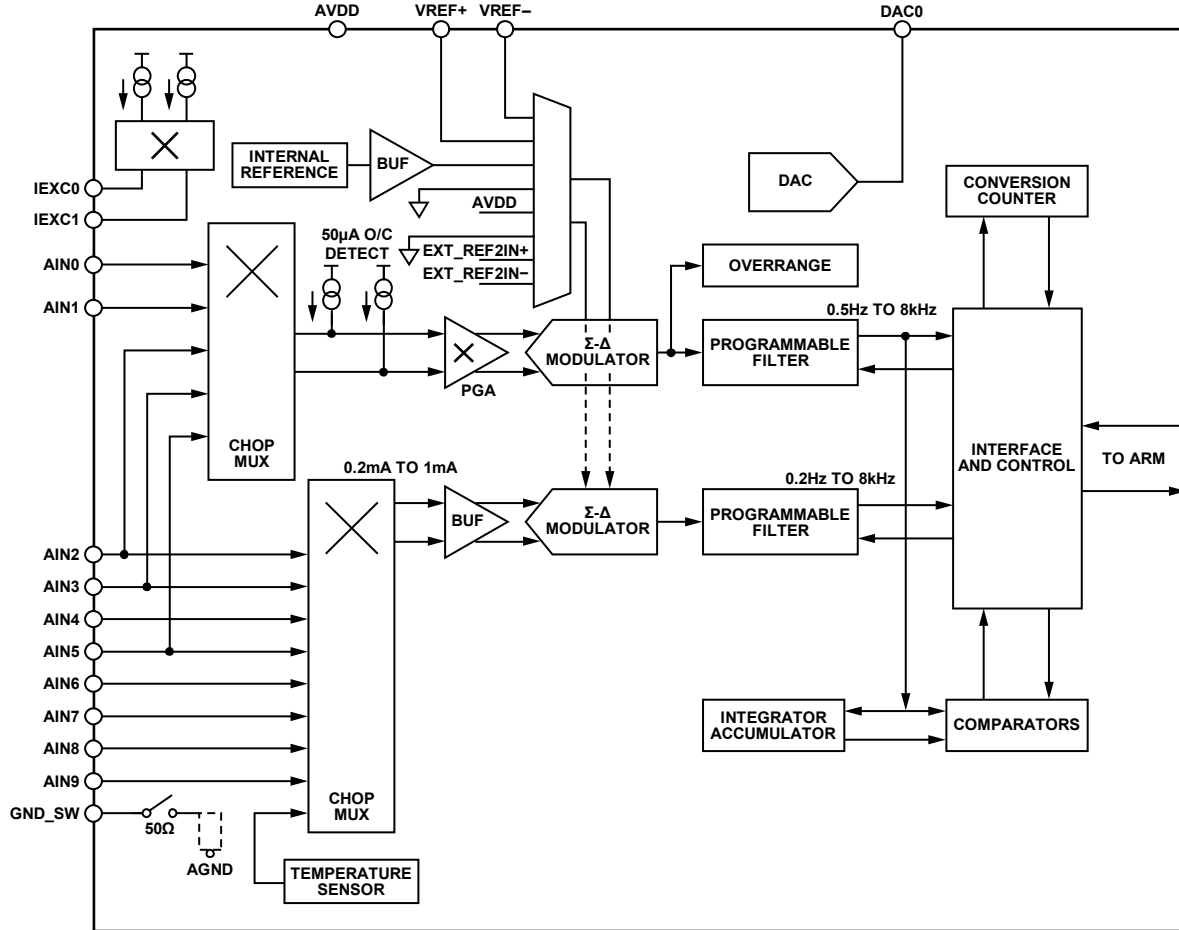


Figure 9. Analog Block Diagram

The ADuC706x incorporates two independent multichannel Σ - Δ ADCs. The primary ADC is a 24-bit, 5-channel ADC. The auxiliary ADC is a 16-bit Σ - Δ ADC, with up to eight input channels.

The primary ADC input has a mux and a programmable gain amplifier on its input stage. The mux on the primary channel can be configured as two fully differential input channels or five single-ended input channels.

The auxiliary ADC incorporates a buffer on its input stage. Digital filtering is present on both ADCs which allows

measurement of a wide dynamic range and low frequency signals such as those in pressure sensor, temperature sensor, weigh-scale, or strain-gauge type applications.

The ADuC706x auxiliary ADC can be configured as four fully differential input channels or as eight single-ended input channels.

Because of internal buffering, the internal channels can convert signals directly from sensors without the need for external signal conditioning.

Table 29. Primary ADC: Typical Output RMS noise in Normal Mode

ADC Register	Data Update Rate										
		±2.34 mV (512)	±4.68 mV (256)	±9.375 mV (128)	±18.75 mV (64)	±37.5 mV (32)	±75 mV (16)	±150 mV (8)	±300 mV (4)	±600 mV (2)	±1.2 V (1)
(Chop On)	4 Hz	0.033 μV	0.032 μV	0.0338 μV	0.032 μV	0.041 μV	0.077 μV	0.109 μV	0.175 μV	0.648 μV	0.62 μV
(Chop Off)	50 Hz	0.098 μV	0.098 μV	0.12 μV	0.123 μV	0.147 μV	0.27 μV	0.38 μV	0.570 μV	1.89 μV	1.97 μV
(Chop Off)	1 kHz	0.52 μV	0.56 μV	0.55 μV	0.53 μV	0.658 μV	1.17 μV	1.6 μV	2.55 μV	8.4 μV	8.54 μV
(Chop Off)	8 kHz	0.909 μV	0.915 μV	1.75 μV	1.71 μV	2.5 μV	4.59 μV	7.88 μV	14.30 μV	55.54 μV	54.97 μV

Table 30. Auxillary ADC: Typical Output RMS Noise

ADC Register	Data Update Rate	RMS value
Chop On	4 Hz	0.633 μV
Chop On	10 Hz	0.810 μV
Chop Off	1 kHz	7.4 μV
Chop Off	8 kHz	54.18 μV

Reference Sources

Both the primary and secondary ADCs have the option of using the internal reference voltage or, one of two external differential reference sources. The first external reference is applied to the VREF+/VREF- pins. The second external reference is applied to the ADC4 (EXT_VREF2+) and ADC5 (EXT_VREF2-) pins. By default, each ADC uses the internal 1.2 V reference source.

For details on how to configure the external reference source for the primary ADC, see the description of the ADC0REF[1:0] bits in the ADC0 control register, ADC0CON.

For details on how to configure the external reference source for the auxiliary ADC, see the description of the ADC1REF[2:0] bits in the ADC1 control register, ADC1CON.

If an external reference source of greater than 1.35 V is needed for ADC0, the HIGHEXTREF0 bit must be set in ADC0CON. Similarly, if an external reference source of greater than 1.35 V is used for ADC1, set the HIGHEXTREF1 bit in ADC1CON.

Note, if an external reference source of greater than 1.35 V is used for ADC0, the HIGHEXTREF0 bit must be set in ADC0CON. Similarly, an external reference source of greater than 1.35 V is used for ADC1, the HIGHEXTREF1 bit must be set in ADC1CON.

Diagnostic Current Sources

To detect a connection failure to an external sensor, the ADuC706x incorporates 50 μA constant current sources on the selected analog input channels to both the primary and auxiliary ADCs.

The diagnostic current sources for the primary ADC analog inputs are controlled by the ADC0DIAG[1:0] bits in the ADC0CON register.

Similarly, the diagnostic current sources for the auxiliary ADC analog inputs are controlled by the ADC1DIAG[1:0] bits in the ADC0CON register.

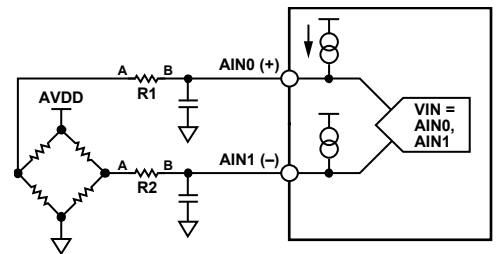


Figure 10. Example Circuit Using Diagnostic Current Sources

Table 31. Example Scenarios for Using Diagnostic Current Sources

Diagnostic Test	Normal Result	Fault Result	Detected Measurement for Fault
ADC0DIAG[1:0] = 0. Convert ADC0/ADC1 as normal with diagnostic currents disabled.	Expected differential result across ADC0/ADC1.	Short circuit	Primary ADC reading ≈ 0 V regardless of PGA setting.
Enable 50 μ A diagnostic current source on ADC0 by setting ADC0DIAG[1:0] = 1. Convert ADC0 and ADC1.	Main ADC changes by $\Delta V = +50 \mu\text{A} \times R1$. For example, ~ 100 mV for $R1 = 2$ k Ω .	Short circuit between ADC0 and ADC1	Primary ADC reading ≈ 0 V regardless of PGA setting.
Enable 50 μ A diagnostic current source on ADC0 by setting ADC0DIAG[1:0] = 1. Convert ADC0 and ADC1.	Main ADC changes by $\Delta V = +50 \mu\text{A} \times R1$. For example, ~ 100 mV for $R1 = 2$ k Ω .	Short circuit between R1_a and R1_b	Primary ADC reading ≈ 0 V regardless of PGA setting.
Convert ADC0 in single-ended mode with diagnostic currents disabled.	Expected voltage on ADC0.	ADC0 open circuit or R1 open circuit	Primary ADC reading = +full scale, even on the lowest PGA setting.
Enable 50 μ A diagnostic current source on both ADC0 and ADC1 by setting ADC0DIAG[1:0] = 3. Convert ADC0 and ADC1.	Primary ADC changes by $\Delta V = 50 \mu\text{A} \times (R1-R2)$. That is, ~ 10 mV for 10% tolerance.	R1 does not match R2	Primary ADC reading > 10 mV

Sinc3 Filter

The number entered into Bits[6:0] of the ADCFLT register sets the decimation factor of the Sinc3 filter. See Table 32 and Table 33 for further details on the decimation factor values.

The range of operation of the Sinc3 filter (SF) word depends on whether the chop function is enabled. With chopping disabled, the minimum SF word allowed is 3 and the maximum is 127, giving an ADC throughput range of 50 Hz to 2 kHz.

For details on how to calculate the ADC sampling frequency based on the value programmed to the SF[6:0] in the ADCFLT register, refer to Table 32 for more details.

ADC CHOPPING

The ADCs on the ADuC706x implement a chopping scheme whereby the ADC repeatedly reverses its inputs. Therefore, the decimated digital output values from the Sinc3 filter have a positive and negative offset term associated with them. This results in the ADC including a final summing stage that sums and averages each value from the filter with previous filter output values. This new value is then sent to the ADC data MMR. This chopping scheme results in excellent dc offset and offset drift specifications and is extremely beneficial in applications where drift and noise rejection are required.

Programmable Gain Amplifier

The primary ADC incorporates an on-chip programmable gain amplifier (PGA). The PGA can be programmed through 10 different settings giving a range of 1 to 512. The gain is controlled by the ADC0PGA[3:0] bits in the ADC0CON MMR.

Excitation Sources

The ADuC706x contains two matched software configurable current sources. These excitation currents are sourced from

AVDD. They are individually configurable to give a current range of 200 μ A to 1 mA. The current step sizes are 200 μ A. These current sources can be used to excite an external resistive bridge or RTD sensors. The IEXCON MMR controls the excitation current sources. Bit 6 of IEXCON must be set to enable Excitation Current Source 0. Similarly, Bit 7 must be set to enable Excitation Current Source 1. The output current of each current source is controlled by the IOOUT[3:0] bits of this register.

It is also possible to configure the excitation current sources to output current to a single output pin, either IEXC0 or IEXC1, by using the IEXC0_DIR and IEXC1_DIR bits of IEXCON. This allows up to 2 mA to output current on a single excitation pin.

ADC Low Power Mode

The ADuC706x allows the primary and auxiliary ADCs to be placed in Low-Power operating mode. When configured for this mode, the ADC throughput time is reduced but, the power consumption of the primary ADC is reduced by a factor of about 4; the auxiliary ADC power consumption is reduced by a factor of roughly 3. The maximum ADC conversion rate in Low-Power mode is 2 kHz. The operating mode of the ADC's is controlled by the ADCMDE register. This register configures the part for either normal mode (default), low power mode or low-power-plus mode. Low-power plus mode is the same as low-power mode except, the PGA is disabled.

To place the ADCs in low power mode, the following steps must be completed:

- ADCMDE[4:3]—Setting these bits enables normal mode, low power mode, or low power-plus mode.
- ADCMDE[5]—Clearing this bit is optional but it further reduces power consumption by placing the internal refer-

ence source in power saving mode. This bit has no effect on power consumption if an external reference is used.

- ADCMDE[7]—Clearing this bit further reduces power consumption by reducing the frequency of the ADC clock.

ADC Comparator and Accumulator

Every primary ADC result can be compared to a preset threshold level (ADC0TH) as configured via ADCCFG[4:3]. An MCU interrupt is generated if the absolute (sign independent) value of the ADC result is greater than the preprogrammed comparator threshold level. An extended function of this comparator function allows user code to configure a threshold counter (ADC0THV) to monitor the number of Primary ADC results that have occurred above or below the preset threshold level. Again, an ADC interrupt is generated when the threshold counter reaches a preset value (ADC0TCL).

Finally, a 32-bit accumulator (ADC0ACC) function can be configured (ADCCFG[6:5]) allowing the Primary ADC to add (or subtract) multiple Primary ADC sample results. User code can read the accumulated value directly (ADC0ACC) without any further software processing.

ADC MMR Interface

The ADCs are controlled and configured through a number of MMRs that are described in detail in the following sections.

In response to an ADC interrupt, user code should interrogate the ADCSTA MMR to determine the source of the interrupt.

Each ADC interrupt source can be individually masked via the ADCMSKI MMR described in Table 32.

All primary ADC result ready bits are cleared by a read of the ADC0DAT MMR. If the primary channel ADC is not enabled, all ADC result ready bits are cleared by a read of the ADC1DAT MMR. To ensure that primary ADC and auxiliary ADC conversion data are synchronous, user code should first read the ADC1DAT MMR and then the ADC0DAT MMR. New ADC conversion results are not written to the ADCxDAT MMRs unless the respective ADC result ready bits are first cleared. The only exception to this rule is the data conversion result updates when the ARM core is powered down. In this mode, ADCxDAT registers always contain the most recent ADC conversion result even though the ready bits have not been cleared.

ADC Status Register

Name: ADCSTA

Address: 0xFFFF0500

Default value: 0x0000

Access: Read only

Function: This read-only register holds general status information related to the mode of operation or current status of the ADuC7060/ADuC7061/ADuC7062 ADCs.

Table 32. ADCSTA MMR Bit Designations

Bit	Name	Description
15	ADCCALSTA	ADC Calibration Status. This bit is set automatically in hardware to indicate an ADC calibration cycle has been completed. This bit is cleared after ADCMDE is written to.
14		Not Used. This bit is reserved for future functionality
13	ADC1CERR	Auxiliary ADC Conversion Error. This bit is set automatically in hardware to indicate that an auxiliary ADC conversion overrange or underrange has occurred. The conversion result is clamped to negative full scale (underrange error) or positive full scale (overrange error) in this case. This bit is cleared when a valid (in-range) voltage conversion result is written to the ADC1DAT register.
12	ADC0CERR	Primary ADC Conversion Error. This bit is set automatically in hardware to indicate that a primary ADC conversion overrange or underrange has occurred. The conversion result is clamped to negative full scale (underrange error) or positive full scale (overrange error) in this case. This bit is cleared when a valid (in-range) conversion result is written to the ADC0DAT register.
11 to 7		Not Used. These bits are reserved for future functionality and should not be monitored by user code.
6	ADC0ATHEX	ADC0 Accumulator Comparator Threshold Exceeded. This bit is set when the ADC0 Accumulator value in ADC0ACC has exceeded the threshold value programmed in the ADC0 Comparator Threshold register, ADC0ATH. This bit is cleared when the value in ADC0ATH does not exceed the value in ADC0ATH
5		Not Used. This bit is reserved for future functionality and should not be monitored by user code.

Bit	Name	Description
4	ADC0THEX	Primary Channel ADC Comparator Threshold. This bit is only valid if the primary channel ADC comparator is enabled via the ADCCFG MMR. This bit is set by hardware if the absolute value of the primary ADC conversion result exceeds the value written in the ADC0TH MMR. If the ADC threshold counter is used (ADC0TCL), this bit is only set when the specified number of primary ADC conversions equals the value in the ADC0THV MMR. Other wise, this bit is clear.
3	ADC0OVR	Primary Channel ADC Overrange Bit. If the overrange detect function is enabled via the ADCCFG MMR, this bit is set by hardware if the Primary-ADC input is grossly (>30% approximate) overrange. This bit is updated every 125 μs. After it is set, this bit can only be cleared by software when ADCCFG[2] is cleared to disable the function, or the ADC gain is changed via the ADC0CON MMR.
2		Not Used. These bits are reserved for future functionality and should not be monitored by user code.
1	ADC1RDY	Auxiliary ADC Result Ready bit. If the Auxiliary channel ADC is enabled, this bit is set by hardware as soon as a valid conversion result is written in the ADC1DAT MMR. It is also set at the end of a calibration sequence. This bit is cleared by reading ADC1DAT followed by reading ADC0DAT. ADC0DAT must be read to clear this bit, even if the primary ADC is not enabled.
0	ADC0RDY	Primary ADC Result Ready bit. If the primary channel ADC is enabled, this bit is set by hardware as soon as a valid conversion result is written in the ADC0DAT MMR. It is also set at the end of a calibration sequence. This bit is cleared by reading ADC0DAT.

ADC Interrupt Mask Register

Name: ADCMSKI

Address: 0xFFFF0504

Default value: 0x00

Access: Read/write

Function: This register allows the ADC interrupt sources to be enabled individually. The bit positions in this register are the same as the lower eight bits in the ADCSTA MMR. If a bit is set by user code to a 1, the respective interrupt is enabled. By default, all bits are 0, meaning all ADC interrupt sources are disabled.

Table 33. ADCMSKI MMR Bit Designations

Bit	Name	Description
7		Not Used. These bits are reserved for future functionality and should not be monitored by user code.
6	ADC0ATHEX_INTEN	ADC0 Accumulator Comparator Threshold Exceeded Interrupt Enable Bit. When set to 1, this bit enables an interrupt when the ADC0ATHEX bit in the ADCSTA register is set. When this bit is cleared, this interrupt source is disabled.
5		Not Used. These bits are reserved for future functionality and should not be monitored by user code.
4	ADC0THEX_INTEN	Primary Channel ADC Comparator Threshold Exceeded Interrupt Enable Bit. When set to 1, this bit enables an interrupt when the ADC0THEX bit in the ADCSTA register is set. When this bit is cleared, this interrupt source is disabled.
3	ADC0OVR_INTEN	When set to 1, this bit enables an interrupt when the ADC0OVR bit in the ADCSTA register is set. When this bit is cleared, this interrupt source is disabled.
2		Not Used. These bits are reserved for future functionality and should not be monitored by user code..
1	ADC1RDY_INTEN	Auxiliary ADC Result Ready Bit. When set to 1, this bit enables an interrupt when the ADC1RDY bit in the ADCSTA register is set. When this bit is cleared, this interrupt source is disabled.
0	ADC0RDY_INTEN	Primary ADC Result Ready Bit. When set to 1, this bit enables an interrupt when the ADC0RDY bit in the ADCSTA register is set. When this bit is cleared, this interrupt source is disabled.

ADC Mode Register

Name: ADCMDE

Address: 0xFFFF0508

Default Value: 0x00

Access: Read/write

Function: The ADC mode MMR is an 8-bit register that configures the mode of operation of the ADC subsystem.

Table 34. ADCMDE MMR Bit Designations

Bit	Name	Description
7	ADCCLKSEL	Set this bit to 1 to enable ADCCLK = 4 MHz. This bit should be set for normal ADC operation Clear this bit to enable ADCCLK = 131 kHz. This bit should be set for low power ADC operation
6		Not Used. These bits are reserved for future functionality and should not be monitored by user code.
5	ADCLPMREFSEL	Low Power Mode Reference Select. This bit is set to 1 to enable the high power precision voltage reference in low power mode . This increases current consumption. This bit is set to 0 to enable the low power voltage reference in low power mode (default). This bit has no effect if the ADC is in normal mode.
4 to 3	ADCLPMCFG[1:0]	ADC Power Mode Configuration. 0, 0 = ADC normal mode. If enabled, the ADC operates with normal current consumption yielding optimum electrical performance. 0, 1 = ADC low power mode. 1, 0 = ADC normal mode, same as [0,0]. 1, 1 = ADC low power plus mode (low power mode + PGA off).
2 to 0	ADCMD[2:0]	ADC Operation Mode Configuration. 0, 0, 0 = ADC power-down mode. All ADC circuits and the input amplifier are powered down. 0, 0, 1 = ADC continuous conversion mode. In this mode, any enabled ADC continuously converts at a frequency equal to f_{ADC} . RDY must be cleared to enable new data to be written to ADC0DAT/ADC1DAT 0, 1, 0 = ADC Single conversion mode. In this mode, any enabled ADC performs a single conversion. The ADC enters idle mode when the single shot conversion is complete. A single conversion takes two to three ADC clock cycles depending on the chop mode. 0, 1, 1 = ADC idle mode. In this mode, the ADC is fully powered on but is held in reset. The part enters this mode after calibration. 1, 0, 0 = ADC self-offset calibration. In this mode, an offset calibration is performed on any enabled ADC using an internally generated 0V. The calibration is carried out at the user programmed ADC settings; therefore, as with a normal single ADC conversion, it takes two to three ADC conversion cycles before a fully settled calibration result is ready. The calibration result is automatically written to the ADCxOF MMR of the respective ADC. The ADC returns to idle mode and the calibration and conversion ready status bits are set at the end of an offset calibration cycle. Note: Always use ADC0 for single-ended self-calibration cycles on the primary ADC. Always use ADC0/ADC1 when self-calibrating for a differential input to the primary ADC. 1, 0, 1 = Reserved. 1, 1, 0 = ADC system zero-scale calibration. In this mode, a zero-scale calibration is performed on enabled ADC channels against an external zero-scale voltage driven at the ADC input pins. To do this, the channel should be shorted externally. 1, 1, 1 = ADC system full-scale calibration. In this mode, a full-scale calibration is performed on enabled ADC channels against an external full-scale voltage driven at the ADC input pins. The ADCxGN register is updated after a full-scale calibration sequence.

Primary ADC Control Register

Name: ADC0CON

Address: 0xFFFF050C

Default value: 0x0000

Access: Read/write

Function: The primary channel ADC control MMR is a 16-bit register.

Note: If the primary ADC is reconfigured via ADC0CON, the auxiliary ADC is also reset.

ADC0CON MMR Bit Designations

Bit	Name	Description
15	ADC0EN	Primary Channel ADC Enable. This bit is set to 1 by user code to enable the primary ADC. Clearing this bit to 0 powers down the primary ADC and resets the respective ADC ready bit in the ADCSTA MMR to 0.
14, 13	ADCODIAG[1:0]	Diagnostic Current Source Enable Bits. 0, 0 = current sources off. 0, 1 = enables 50 μ A current source on selected positive input (for example, ADC0). 1, 0 = enables 50 μ A current source on selected negative input (for example, ADC1). 1, 1 = enables 50 μ A current source on both selected inputs (for example, ADC0 and ADC1).
12	HIGHEXTREF0	This bit must be set high if the external reference for ADC0 exceeds 1.35 V. Clear this bit when using the internal reference or an external reference of less than 1.35 V.
11	AMP_CM	This bit is set to 1 by user to set the PGA output common-mode voltage to AVDD/2 This bit is cleared to 0 by user code to set the PGA output common-mode voltage to the PGA input common-mode voltage level
10	ADC0CODE	Primary Channel ADC Output Coding. This bit is set to 1 by user code to configure primary ADC output coding as unipolar. This bit is cleared to 0 by user code to configure primary ADC output coding as twos complement.
9 to 6	ADC0CH[3:0]	Primary Channel ADC Input Select. [0000] = ADC0/ADC1 (differential mode). [0001] = ADC0/ADC5 (single-ended mode). [0010] = ADC1/ADC5 (single-ended mode). [0011] = VREF+, VREF-. Note: This is the reference selected by the ADC0REF bits. [0100] = Not Used. This bit combination is reserved for future functionality and should not be written. [0101] = ADC2/ADC3 (differential mode). [0110] = ADC2/ADC5 (single-ended mode). [0111] = ADC3/ADC5 (single-ended mode). [1000] = internal short to ADC0 [1001] = internal short to ADC1 1, 0 = VREF/136, 0 V, diagnostic, test voltage for gain settings \leq 128. Note: If (REG_AVDD, AGND) divided-by-two reference is selected, REG_AVDD is used for VREF in this mode. This leads to ADC0DAT scaled by two.
5, 4	ADC0REF[1:0]	Primary Channel ADC Reference Select. 0, 0 = internal reference selected. In ADC low power mode, the voltage reference selection is controlled by ADCMODE[5]. 0, 1 = external reference inputs (VREF+, VREF-) selected. Set the HIGHEXTREF0 bit if reference voltage exceeds 1.3 V. 1, 0 = auxiliary external reference inputs (ADC4/EXT_REF2IN+, ADC5/EXT_REF2IN-) selected. Set the HIGHEXTREF0 bit if the reference voltage exceeds 1.3 V. 1, 1 = (AVDD, AGND) divided-by-two selected. TBC

Bit	Name	Description
3 to 0	ADC0PGA[3:0]	<p>Primary Channel ADC Gain Select. Note, nominal primary ADC full-scale input voltage = (VREF/gain).</p> <p>0, 0, 0, 0 = ADC0 gain of 1. Buffer is active.</p> <p>0, 0, 0, 1 = ADC0 gain of 2.</p> <p>0, 0, 1, 0 = ADC0 gain of 4 (default value). Enables the in-amp.</p> <p>0, 0, 1, 1 = ADC0 gain of 8.</p> <p>0, 1, 0, 0 = ADC0 gain of 16.</p> <p>0, 1, 0, 1 = ADC0 gain of 32.</p> <p>0, 1, 1, 0 = ADC0 gain of 64 (maximum PGIA gain setting).</p> <p>0, 1, 1, 1 = ADC0 gain of 128 (extra gain implemented digitally).</p> <p>1, 0, 0, 0 = ADC0 gain of 256.</p> <p>1, 0, 0, 1 = ADC0 gain of 512.</p> <p>1, x, x, x = ADC0 gain is undefined.</p>

Auxiliary ADC Control Register

Name: ADC1CON

Address: 0xFFFF0510

Default Value: 0x0000

Access: Read/write

Function: The auxiliary ADC control MMR is a 16-bit register.

Table 35. ADC1CON MMR Bit Designations

Bit	Name	Description
15	ADC1EN	<p>Auxiliary Channel ADC Enable.</p> <p>This bit is set to 1 by user code to enable the auxiliary ADC.</p> <p>Clearing this bit to 0 powers down the auxiliary ADC.</p>
14, 13	ADC1DIAG	<p>Diagnostic Current Source Enable Bits. This is the same current source as that used on ADC0DIAG. The ADCs cannot enable the diagnostic current sources at the same time.</p> <p>0, 0 = current sources off.</p> <p>0, 1 = enables 50 μA current source on selected positive input (for example, ADC2).</p> <p>1, 0 = enables 50 μA current source on selected negative input (for example, ADC3).</p> <p>1, 1 = enables 50 μA current source on both selected inputs (for example, ADC2 and ADC3).</p>
12	HIGHEXTREF1	<p>Must set this bit high if External Reference for ADC0 Exceeds 1.35 V.</p> <p>This bit should be cleared when using the internal reference or an external reference of less than 1.35 V.</p>
11	ADC1CODE	<p>Auxiliary Channel ADC Output Coding.</p> <p>This bit is set to 1 by user code to configure auxiliary ADC output coding as unipolar.</p> <p>This bit is cleared to 0 by user code to configure auxiliary ADC output coding as twos complement.</p>
10 to 7	ADC1CH[3:0]	<p>Auxiliary Channel ADC Input Select.</p> <p>Note: Single-ended channels are selected with respect to ADC5. Bias ADC5 to a minimum level of 0.1 V.</p> <p>[0000] = ADC2/ADC3 (Differential mode).</p> <p>[0001] = ADC4/ADC5 (Differential mode).</p> <p>[0010] = ADC6/ADC7 (Differential mode).</p> <p>[0011] = ADC8/ADC9 (Differential mode).</p> <p>[0100] = ADC2/ADC5 (Single-Ended mode).</p> <p>[0101] = ADC3/ADC5 (Single-Ended mode).</p> <p>[0110] = ADC4/ADC5 (Single-Ended mode).</p> <p>[0111] = ADC6/ADC5 (Single-Ended mode).</p> <p>[1000] = ADC7/ADC5 (Single-Ended mode).</p> <p>[1001] = ADC8/ADC5 (Single-Ended mode).</p> <p>[1010] = ADC9/ADC5 (Single-Ended mode).</p> <p>[1011] = Internal Temp Sensor+ / Internal Temp Sensor-</p>

Bit	Name	Description
		[1100] = VREF+, VREF-. Note: This is the reference selected by the ADC1REF bits. [1101] = DAC_OUT/AGND. [1110] = Undefined. [1111] = Internal short to ADC3. TBC
6 to 4	ADC1REF[2:0]	Auxiliary Channel ADC Reference Select. [0 00] = Internal Reference selected. In ADC low power mode, the voltage reference selection is controlled by ADCMODE[5]. [0 01] = External reference inputs (VREF+, VREF-) selected. Set the HIGHEXTREF1 bit if reference voltage exceeds 1.3 V. [010] = Auxiliary external reference inputs (ADC4/EXT_REF2IN+, ADC5/EXT_REF2IN-) selected. Set the HIGHEXTREF1 bit if reference voltage exceeds 1.35 V. [011] = (AVDD, AGND) divided-by-two selected. If this configuration is selected, the HIGHEXTREF1 bit is set automatically. [100] = (AVDD, ADC3). ADC3 can be used as the negative input terminal for the reference source. [101] to [111] = Reserved.
3, 2	BUF_BYPASS[1:0]	[0 0] = Full Buffer on. Both positive and negative buffer inputs active. [0 1] = Negative Buffer is bypassed, positive buffer is on. [1 0] = Negative Buffer is on, positive buffer is bypassed. [1 1] = Full Buffer Bypass. Both positive and negative buffer inputs are off.
1 to 0		Digital Gain. Select for Auxiliary ADC Inputs. [00] = ADC1 gain = 1 [01] = ADC1 gain = 2 [10] = ADC1 gain = 4 [11] = ADC1 gain = 8

ADC Filter Register

Name: ADCFLT

Address: 0xFFFF0514

Default Value: 0x0007

Access: Read/write

Function: The ADC filter MMR is a 16-bit register that controls the speed and resolution of both the on-chip ADCs.

Note: If ADCFLT is modified, the primary and auxiliary ADCs are reset.

Table 36. ADCFLT MMR Bit Designations

Bit	Name	Description
15	CHOPEN	Chop Enable. Set by the user to enable system chopping of all active ADCs. When this bit is set, the ADC has very low offset errors and drift, but the ADC output rate is reduced by a factor of three if AF = 0 (see Sinc3 decimation factor, Bits[6:0] in this table). If AF > 0, then the ADC output update rate is the same with chop on or off. When chop is enabled, the settling time is two output periods.
14	RAVG2	Running Average-by-2 Enable Bit. Set by the user to enable a running-average-by-two function reducing ADC noise. This function is automatically enabled when chopping is active. It is an optional feature when chopping is inactive, and if enabled (when chopping is inactive) does not reduce the ADC output rate but does increase the settling time by one conversion period. Cleared by the user to disable the running average function.
13 to 8	AF[5:0]	Averaging Factor (AF). The values written to these bits are used to implement a programmable first-order Sinc3 post filter. The averaging factor can further reduce ADC noise at the expense of output rate as described in Bits[6:0] Sinc3 decimation factor in this table.

Bit	Name	Description
7	NOTCH2	Sinc3 Modify. Set by the user to modify the standard Sinc3 frequency response to increase the filter stop band rejection by approximately 5 dB. This is achieved by inserting a second notch (NOTCH2) at $f_{NOTCH2} = 1.333 \times f_{NOTCH}$ where f_{NOTCH} is the location of the first notch in the response.
6 to 0	SF[6:0]	Sinc3 Decimation Factor (SF) ¹ . The value (SF) written in these bits controls the oversampling (decimation factor) of the Sinc3 filter. The output rate from the Sinc3 filter is given by $f_{ADC} = (512,000 / ([SF+1] \times 64)) \text{ Hz}^2$ when the chop bit (Bit 15, chop enable) = 0 and the averaging factor (AF) = 0. This is valid for all SF values ≤ 125 . For SF = 126, f_{ADC} is forced to 60 Hz. For SF = 127, f_{ADC} is forced to 50 Hz. For information on calculating the f_{ADC} for SF (other than 126 and 127) and AF values, refer to Table X.

¹ Due to limitations on the digital filter internal data path, there are some limitations on the combinations of the Sinc3 decimation factor (SF) and averaging factor (AF) that can be used to generate a required ADC output rate. This restriction limits the minimum ADC update in normal power mode to 4 Hz or 1 Hz in lower power mode.
² In low power mode and low power plus mode, the ADC is driven directly by the low power oscillator (131 kHz) and not 512 kHz. All f_{ADC} calculations should be divided by 4 (approx).

Table 37. ADC Conversion Rates and Settling Times

Chop Enabled	Averaging Factor	Running Average	f_{ADC} Normal Mode	f_{ADC} Low Power Mode	$t_{SETTLING}^1$
No	No	No	$\frac{512,000}{[SF+1] \times 64}$	$\frac{131,072}{[SF+1] \times 64}$	$\frac{3}{f_{ADC}}$
No	No	Yes	$\frac{512,000}{[SF+1] \times 64}$	$\frac{131,072}{[SF+1] \times 64}$	$\frac{4}{f_{ADC}}$
No	Yes	No	$\frac{512,000}{[SF+1] \times 64 \times [3+AF]}$	$\frac{131,072}{[SF+1] \times 64 \times [3+AF]}$	$\frac{1}{f_{ADC}}$
No	Yes	Yes	$\frac{512,000}{[SF+1] \times 64 \times [3+AF]}$	$\frac{131,072}{[SF+1] \times 64 \times [3+AF]}$	$\frac{2}{f_{ADC}}$
Yes	N/A	N/A	$\frac{512,000}{[SF+1] \times 64 \times [3+AF] + 3}$	$\frac{131,072}{[SF+1] \times 64 \times [3+AF] + 3}$	$\frac{2}{f_{ADC}}$

¹ An additional time of approximately 60 μ s per ADC is required before the first ADC is available.

Table 38. Allowable Combinations of SF and AF

SF	AF Range		
	0	1 to 7	8 to 63
0 to 31	Yes	Yes	Yes
32 to 63	Yes	Yes	No
64 to 127	Yes	No	No

ADC Configuration Register

Name: ADCCFG

Address: 0xFFFF0518

Default Value: 0x00

Access: Read/write

Function: The 8-bit ADC configuration MMR controls extended functionality related to the on-chip ADCs.

Table 39. ADCCFG MMR Bit Designations

Bit	Name	Description
7	GNDSW_EN	Analog Ground Switch Enable. This bit is set to 1 by user software to connect the external GND_SW pin to an internal analog ground reference point. This bit can be used to connect and disconnect external circuits and components to ground under program control and thereby minimize dc current consumption when the external circuit or component is not being used. This bit is used in conjunction with ADCCFG[1] to select a 20 kΩ resistor to ground. When this bit is cleared, the analog ground switch is disconnected from the external pin.
6, 5	ADC0ACCEN[1:0]	Primary Channel (32-Bit) Accumulator Enable. [00] = Accumulator disabled and reset to 0. The accumulator must be disabled for a full ADC conversion, (ADCSTA[0] set twice) before the accumulator can be re-enabled to ensure the accumulator is reset. [01] = Accumulator active. Positive current values are added to the accumulator total; the accumulator can overflow if allowed to run for >65,535 conversions. Negative current values are subtracted from the accumulator total; the accumulator is clamped to a minimum value of 0. [10] = Accumulator active. Same as [01] except there is no clamp. Positive current values are added to the accumulator total; the accumulator can overflow if allowed to run for >65,535 conversions. The absolute values of negative current are subtracted from the accumulator total; the accumulator in this mode continues to accumulate negatively, below 0. [11] = Accumulator + Comparator Active. This causes an ADC0 interrupt if ADCMSK[6] is set.
4, 3	ADC0CMPEN[1:0]	Primary ADC Comparator Enable bit. [00] = Comparator disabled. [01] = Comparator active. Interrupt asserted if absolute value of ADC0 conversion result $ \geq \text{ADC0THRESH}$. [10] = Comparator Count mode active. Interrupt asserted if absolute value of an ADC0 conversion result $ \geq \text{ADC0THRESH}$ for the number of ADC0THCNT conversions. A conversion value $ < \text{ADC0THRESH}$ resets the threshold counter value (ADC0THVAL) to 0. [11] = comparator count mode active, interrupt asserted if absolute value of an ADC0 conversion result $ \geq \text{ADC0THRESH}$ for the number of ADC0THCNT conversions. A conversion value $ < \text{ADC0THRESH}$ decrements the threshold counter value (ADC0THVAL) towards 0.
2	ADC0OREN	ADC0 Overrange Enable. Set by user to enable a coarse comparator on the Primary Channel ADC. If the reading is grossly (>30% approx.) overrange for the active gain setting, then the overrange bit in the ADCSTA MMR is set. The ADC reading must be outside this range for greater than 125 μs for the flag to be set. This feature should not be used in ADC low power mode.(TBC)
1	GNDSW_RES_EN	Set to 1 to enable 20 kΩ resistor in series with the ground switch. Clear this bit to disable this resistor.
0	ADRCEN	ADC Result Counter Enable. Set by user to enable the result count mode. ADC interrupts occur if ADCORCR = ADCORCV. Cleared to disable Result counter. ADC interrupts occur after every conversion.

Primary Channel ADC Data Register

Name: ADC0DAT
 Address: 0xFFFF051C
 Default Value: 0x0000-0000
 Access: Read only
 Function: This ADC Data MMR holds the 24/16-bit conversion result from the primary ADC. The ADC does not update this MMR if the ADC0 conversion result ready bit (ADCSTA[0]) is set. A read of this MMR by the MCU clears all asserted ready flags (ADCSTA[2:0]).

Table 40. ADC0DAT MMR Bit Designations

Bits	Description
23 to 0	ADC0 24/16-bit conversion result

Auxiliary Channel ADC Data Register

Name: ADC1DAT
 Address: 0xFFFF0520
 Default Value: 0x0000-0000
 Access: Read only
 Function: This ADC Data MMR holds the 24-bit conversion result from the Auxiliary ADC. The ADC does not update this MMR if the ADC0 conversion result ready bit (ADCSTA[1]) is set. A read of this MMR by the MCU clears all asserted ready flags (ADCSTA[2:1]).

Table 41. ADC1DAT MMR Bit Designations

Bits	Description
23 to 0	ADC1 24-bit conversion result

Primary Channel ADC Offset Calibration Register

Name: ADC0OF
 Address: 0xFFFF0524
 Default Value: Part specific, factory programmed
 Access: Read/write access
 Function: This ADC offset MMR holds a 16-bit offset calibration coefficient for the Primary ADC. The register is configured at power-on with a factory default value. However, this register automatically overwrites if an offset calibration of the Primary ADC is initiated by the user via bits in the ADCMDE MMR. User code can only write to this calibration register if the ADC is in idle mode. An ADC must be enabled and in idle mode before being written to any offset or gain register. The ADC must be in idle mode for at least 23 μ s.

Table 42. ADC0OF MMR Bit Designations

Bits	Description
15 to 0	ADC0 16-bit calibration offset value.

Auxiliary Channel ADC Offset Calibration Register

Name:	ADC1OF
Address:	0xFFFF0528
Default Value:	Part specific, factory programmed
Access:	Read/write access
Function:	This offset MMR holds a 16-bit offset calibration coefficient for auxiliary channel. The register is configured at power-on with a factory default value. However, this register is automatically overwritten if an offset calibration of the auxiliary channel is initiated by the user via bits in the ADCMDE MMR. User code can only write to this calibration register if the ADC is in idle mode. An ADC must be enabled and in idle mode before being written to any offset or gain register. The ADC must be in idle mode for at least 23 μ s.

Table 43. ADC1OF MMR Bit Designations

Bits	Description
15 to 0	ADC1 16-bit calibration offset value.

Primary Channel ADC Gain Calibration Register

Name:	ADC0GAIN
Address:	0xFFFF052C
Default Value:	Part specific, factory programmed
Access:	Read/write
Function:	This gain MMR holds a 16-bit gain calibration coefficient for scaling the primary ADC conversion result. The register is configured at power-on with a factory default value. However, this register is automatically overwritten if a gain calibration of the primary ADC is initiated by the user via bits in the ADCMDE MMR. User code can only write to this calibration register if the ADC is in idle mode. An ADC must be enabled and in idle mode before being written to any offset or gain register. The ADC must be in idle mode for at least 23 μ s.

Table 44. ADC0GAIN MMR Bit Designations

Bits	Description
15 to 0	ADC0 16-bit Calibration Gain Value.

Auxiliary Channel Gain Calibration Register

Name: ADC1GAIN
Address: 0xFFFF0530
Default Value: Part specific, factory programmed
Access: Read/write
Function: This gain MMR holds a 16-bit gain calibration coefficient for scaling an Auxiliary channel conversion result. The register is configured at power-on with a factory default value. However, this register is automatically overwritten if a gain calibration of the Auxiliary channel is initiated by the user via bits in the ADCMDE MMR. User code can only write to this calibration register if the ADC is in idle mode. An ADC must be enabled and in idle mode before being written to any offset or gain register. The ADC must be in idle mode for at least 23 μ s.

Table 45. ADC1GAIN MMR Bit Designations

Bits	Description
15 to 0	ADC1 16-bit Calibration Gain Value.

Primary Channel ADC Result Counter Limit Register

Name: ADCORCR
Address: 0xFFFF0534
Default Value: 0x0001
Access: Read/write
Function: This 16-bit MMR sets the number of conversions required before an ADC interrupt is generated. By default, this register is set to 0x01. The ADC counter function must be enabled via the ADC result counter enable bit in the ADCCFG MMR.

Table 46. ADC0RCR MMR Bit Designations

Bits	Description
15 to 0	ADC0 Result Counter Limit/Re-Load register.

Primary Channel ADC Result Count Register

Name: ADCORCV
Address: 0xFFFF0538
Default Value: 0x0000
Access: Read only
Function: This 16-bit, read only MMR holds the current number of primary ADC conversion results. It is used in conjunction with ADC0RCR to mask Primary channel ADC interrupts, generating a lower interrupt rate. When ADC0RCV = ADC0RCR, the value in ADC0RCV resets to 0 and recommences counting. It can also be used in conjunction with the accumulator (ADC0ACC) to allow an average calculation to be undertaken. The result counter is enabled via ADCCFG[0]. This MMR is also reset to 0 when the Primary-ADC is reconfigured, that is, when the ADC0CON or ADCMDE are written.

Table 47. ADCORCV MMR Bit Designations

Bits	Description
15 to 0	ADC0 Result Counter register.

Primary Channel ADC Threshold Register

Name:	ADCOTHRESH
Address:	0xFFFF053C
Default Value:	0x0000
Access:	Read/write
Function:	This 16-bit MMR sets the threshold against which the absolute value of the Primary ADC conversion result is compared. In Unipolar mode ADC0TH[15:0] are compared, and in twos complement mode, ADC0TH[14:0] are compared.

Table 48. ADCOTHRESH MMR Bit Designations

Bits	Description
15 to 0	ADC0 16-bit comparator threshold register.

Primary Channel ADC Threshold Count Limit Register

Name:	ADCOTHCNT
Address:	0xFFFF0540
Default Value:	0x01
Access:	Read/write
Function:	This 8-bit MMR determines how many cumulative (values below the threshold decrement or reset the count to 0) primary ADC conversion result readings above ADC0TH must occur before the primary ADC comparator threshold bit is set in the ADCSTA MMR generating an ADC interrupt. The primary ADC comparator threshold bit is asserted as soon as the ADC0THV = ADC0TCL.

Table 49. ADCOTHCNT MMR Bit Designations

Bits	Description
7 to 0	ADC0 8-bit threshold counter limit register.

Primary Channel ADC Threshold count Register

Name:	ADCOTHVAL
Address:	0xFFFF0544
Default Value:	0x00
Access:	Read only
Function:	This 8-bit MMR is incremented every time the absolute value of a primary ADC conversion result $ \text{Result} \geq \text{ADC0TH}$. This register is decremented or reset to 0 every time the absolute value of a primary ADC conversion result $ \text{Result} < \text{ADC0TH}$. The configuration of this function is enabled via the primary channel ADC comparator bits in the ADCCFG MMR.

Table 50. ADCOTHVAL MMR Bit Designations

Bits	Description
7 to 0	ADC0 8-bit threshold exceeded counter register.

Primary Channel ADC Accumulator Register

Name: ADC0ACC

Address: 0xFFFF0548

Default Value: 0x00000000

Access: Read only

Function: This 32-bit MMR holds the primary ADC accumulator value. The primary ADC ready bit in the ADCSTA MMR should be used to determine when it is safe to read this MMR. The MMR value is reset to 0 by disabling the accumulator in the ADCCFG MMR or reconfiguring the primary channel ADC.

Table 51. ADC0ACC MMR Bit Designations

Bits	Description
31 to 0	ADC0 32-bit Threshold Exceeded Counter Register.

Primary Channel ADC Comparator Threshold Register

Name: ADCOATH

Address: 0xFFFF054C

Default Value: 0x00000000

Access: Read/Write

Function: This 32-bit MMR holds the Threshold value for the Primary channel’s accumulator comparator. When the accumulator value in ADC0ACC exceeds the value in ADCOATH, the ADC0ATHEX bit ADCSTA is set. This causes an interrupt if the corresponding bit in ADCMSKI is also enabled.

Table 52. ADCOATH MMR Bit Designations

Bits	Description
31 to 0	ADC0 32-bit Accumulator’s Comparator Threshold register.

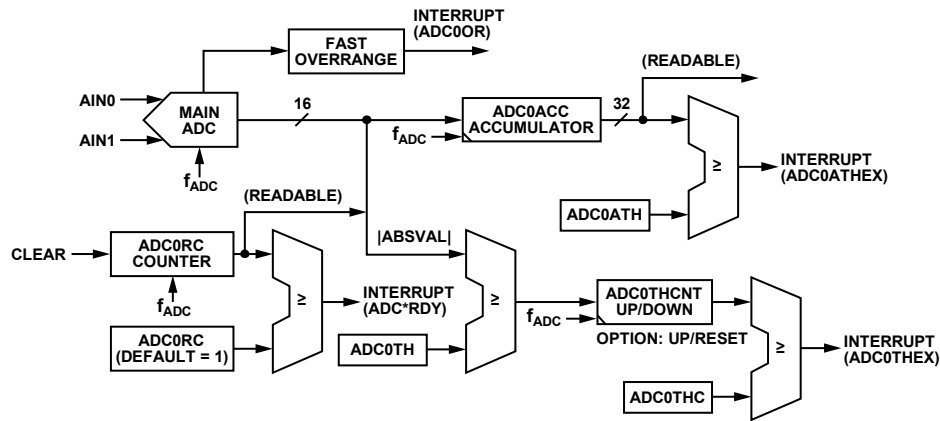


Figure 11. Primary ADC Accumulator/Comparator/Counter Block Diagram

07079-011

Table 53. ADC0THCNT MMR Bit Designations

Bits	Description
7 to 0	ADC0 8-bit threshold counter limit register

Primary Channel ADC Threshold Count Register

Name: ADC0THVAL

Address: 0xFFFF0544

Default value: 0x00

Access: Read only

Function: This 8-bit MMR increments every time the absolute value of a primary ADC conversion result attains $|\text{Result}| \geq \text{ADC0TH}$. This register decrements or resets to 0 every time the absolute value of a primary ADC conversion result level is $|\text{Result}| < \text{ADC0TH}$. The configuration of this function is enabled via the primary channel ADC comparator bits in the ADCCFG MMR.

Table 54. ADC0THVAL MMR Bit Designations

Bits	Description
7 to 0	ADC0 8-bit threshold exceeded counter register.

Primary Channel ADC Accumulator Register

Name: ADC0ACC

Address: 0xFFFF0548

Default value: 0x00000000

Access: Read only

Function: This 32-bit MMR holds the primary ADC accumulator value. Use the primary ADC ready bit in the ADCSTA MMR to determine when it is safe to read this MMR. The MMR value is reset to 0 by disabling the accumulator in the ADCCFG MMR or reconfiguring the primary channel ADC.

Table 55. ADC0ACC MMR Bit Designations

Bits	Description
31 to 0	ADC0 32-bit threshold exceeded counter register

Primary Channel ADC Comparator Threshold Register

Name: ADCOATH

Address: 0xFFFF054C

Default value: 0x00000000

Access: Read/write

Function: This 32-bit MMR holds the threshold value for the primary channel accumulator comparator. When the accumulator value in ADCOACC exceeds the value in ADCOATH, the ADCOATHEX bit, ADCSTA, is set causing an interrupt if the corresponding bit in ADCMSKI is also enabled.

Table 56. ADCOATH MMR Bit Designations

Bits	Description
31 to 0	ADC0 32-bit accumulator comparator threshold register.

Excitation Current Sources Control Register

Name: IEXCON

Address: 0xFFFF0570

Default Value: 0x00

Access: Read/write

Function: This 8-bit MMR controls the two excitation current sources, IEXC0 and IEXC1.

Table 57. IEXCON MMR Bit Designations

Bits	Name	Description
7	IEXC1_EN	Enable bit for IEXC1 current source. Set this bit = 1 to enable Excitation Current Source 1. Clear this bit to disable Excitation Current Source 1.
6	IEXC0_EN	Enable bit for IEXC0 current source. Set this bit = 1 to enable Excitation Current Source 0. Clear this bit to disable Excitation Current source 0.
5	IEXC1_DIR	Set this bit =1 to direct Excitation Current Source 1 to the IEXC1 pin. Set this bit = 0 to direct Excitation Current Source 1 to the IEXC1 pin.
4	IEXC0_DIR	Set this bit = 1 to direct Excitation Current Source 0 to the IEXC0 pin. Set this bit = 0 to direct Excitation Current Source 1 to the IEXC0 pin.
3:1	IOUT[3:1]	These bits control the Excitation current level for each source. IOUT[3:1] = 000, excitation current = 0 μ A + (IOUT[0] \times 10 μ A) IOUT[3:1] = 001, excitation current = 200 μ A + (IOUT[0] \times 10 μ A) IOUT[3:1] = 010, excitation current = 400 μ A+ (IOUT[0] \times 10 μ A) IOUT[3:1] = 011, excitation current = 600 μ A+ (IOUT[0] \times 10 μ A) IOUT[3:1] = 100, excitation current = 800 μ A+ (IOUT[0] \times 10 μ A) IOUT[3:1] = 101, excitation current = 1 mA + (IOUT[0] \times 10 μ A) All other values are undefined.
0	IOUT[0]	Set this bit =1 to enable 10 μ A diagnostic current source Clear this bit =0 to disable 10 μ A diagnostic current source.

EXAMPLE APPLICATION CIRCUITS

Figure 12 shows a simple bridge sensor interface to the ADuC706x including the RC filters on the analog input channels. Notice that the sense lines from the bridge (connecting to the reference inputs) are wired separately from the excitation lines (going to VDD and ground). This results in a total of six wires going to the bridge. This 6-wire connection scheme is a feature of most off-the-shelf bridge transducers (such as load cells) that helps to minimize errors that would otherwise result from wire impedances.

In Figure 13, AD592 is an external temperature sensor used to measure the thermocouples cold junction and its output is

connected to the auxiliary channel. ADR280 is an external 1.2 V reference part—alternatively, the internal reference can be used also. Here, the thermocouple is connected to the primary ADC as a differential input to ADC0/ADC1. Note the resistor between REFIN+ and ADC1 to bias the ADC inputs above 100 mV.

Figure 14 shows a simple 4-wire RTD interface circuit. As with the bridge transducer implementation in Figure 12, if a power supply and a serial connection to the outside world are added, then Figure 14 represents a complete system.

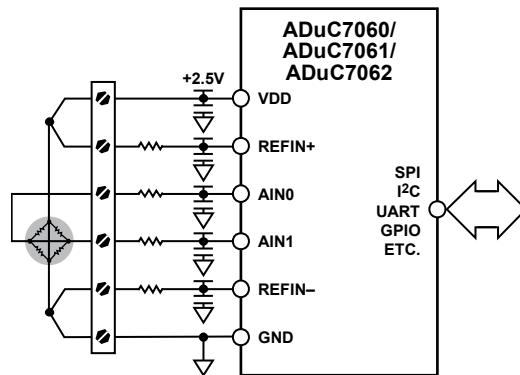


Figure 12. Bridge Interface Circuit

07079-012

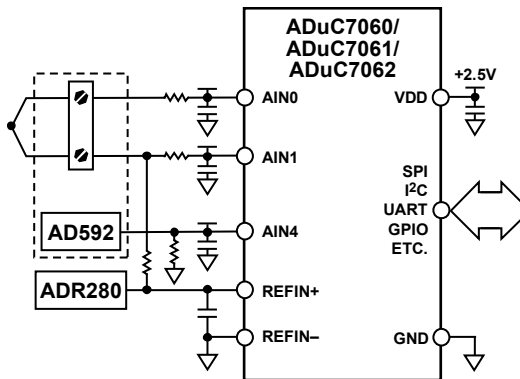


Figure 13. Example of a Thermocouple Interface Circuit

07079-013

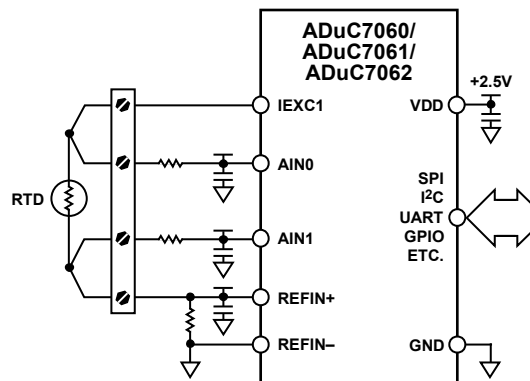


Figure 14. Example of an RTD Interface Circuit

07079-014

DAC PERIPHERALS

DAC

The ADuC706x incorporates a 12-bit voltage output DAC on-chip. The DAC has a rail-to-rail voltage output buffer capable of driving 5 k Ω /100 pF.

The DAC has four selectable ranges:

- 0 V to VREF (internal band gap 1.2 V reference)
- VREF $-$ to VREF $+$
- EXT_REF2 $-$ to EXT_REF2 $+$
- 0 V to AVDD

The maximum signal range is 0 V to AVDD.

Op Amp Mode

As an option, the DAC may be disabled and its output buffer used as an op amp.

MMR INTERFACE

The DAC is configurable through a control register and a data register.

DAC0CON Register

Name:	DAC0CON
Address:	0xFFFF0600
Default value:	0x0200
Access:	Read/write

Table 58. DAC0CON MMR Bit Designations

Bit	Value	Name	Description
15:10			Reserved.
9		DACPD	Set to 1 to power down DAC output (DAC output is tristated). Clear this bit to enable the DAC.
8		DACBUFLP	Set to 1 to place the DAC output buffer in low power mode. See DAC Output Buffer Section for further details on electrical specifications. Clear this bit to enable the DAC buffer.
7		OPAMP	Set to 1 to place the DAC output buffer in op-amp mode. Clear this bit to enable the DAC output buffer for normal DAC operation.
6		DACBUFYPASS	Set to 1 to bypass the output buffer and send the DAC output directly to the output pin. Clear this bit to buffer the DAC output.
5		DACCLK	Set to 1 to update the DAC on the negative edge of HCLK. Set to 0 to update the DAC on the negative edge of Timer1. This mode is ideally suited for waveform generation where the next value in the waveform is written to DAC0DAT at regular intervals of Timer1.
4		/DACCLR	Set to 0 to clear the DAC output and DACDAT to 0. Writing to this bit has an immediate effect on the DAC output.
3		DACMODE	Set to 1 to enable DAC in 16-bit interpolation mode. Set to 0 to enable DAC in normal 12-bit mode.
2		RATE	Used with Interpolation Mode. Set to 1 to configure the interpolation clock as UCLK/16. Set to 0 to configure the interpolation clock as UCLK/32.
1:0	11 10 01 00	DAC Range bits	0 V to AV _{DD} Range. EXT_REF2 $-$ to EXT_REF2 $+$ VREF $-$ to VREF $+$ 0 V to V _{REF} (1.2 V) Range. (Internal reference source.)

DAC0DAT Register

Name:	DAC0DAT
Address:	0xFFFF0604
Default Value:	0x00000000
Access:	Read/Write

Function: This 32-bit MMR contains the DAC output value.

Table 59. DAC0DAT MMR Bit Designations

Bit	Description
31:28	Reserved.
27:16	12-Bit Data for DAC0.
15:12	Extra four 4 bits used in interpolation mode.
11:0	Reserved.

Using the DAC

The on-chip DAC architecture consists of a resistor string DAC followed by an output buffer amplifier. The functional equivalent is shown in the figure below:

The reference source for the DAC is user-selectable in software. It can be either AV_{DD} , $V_{REF\pm}$ or $Ext_Ref2\pm$.

- In 0-to- AV_{DD} mode, the DAC output transfer function spans from 0 V to the voltage at the AV_{DD} pin.
- In $V_{REF\pm}$ and $Ext_Ref2\pm$.modes, the DAC output transfer function spans from negative input voltage to the voltage positive input pin. Note that these voltages must never go below 0 V or above AV_{DD} .
- In 0-to- V_{REF} mode, the DAC output transfer function spans from 0 V to the internal 1.2 V reference, V_{REF} .

The DAC may be configured in three different user modes: normal mode, DAC interpolation mode, and op-amp mode.

Normal DAC Mode

In this mode of operation, the DAC is configured as a 12-bit voltage output DAC. By default, the DAC buffer is enabled but, the output buffer can be disabled. If the DAC output buffer is disabled, the DAC is only capable of driving a capacitive load of 20 pF. The DAC buffer is disabled by setting the $DACBUF\ BYPASS$ bit in $DACCON$.

The DAC output buffer amplifier features a true, rail-to-rail output stage implementation. This means that when unloaded, each output is capable of swinging to within less than 5 mV of both AV_{DD} and ground. Moreover, the DAC’s linearity specification (when driving a 5 k Ω resistive load to ground) is guaranteed through the full transfer function except codes 0 to 100, and, in 0-to- AV_{DD} mode only, Code 3995 to Code 4095. Linearity degradation near ground and V_{DD} is caused by saturation of the output amplifier, and a general representation of its effects (neglecting offset and gain error) is illustrated in Figure 15. The dotted line in Figure 15 indicates the ideal transfer function, and the solid line represents what the transfer function may look like with endpoint nonlinearities due to saturation of the output amplifier. Note that Figure 15 represents a transfer function in

0-to- AV_{DD} mode only. In 0-to- V_{REF} or, $V_{REF\pm}$ and $Ext_Ref2\pm$ modes (with $V_{REF} < AV_{DD}$ or $Ext_Ref+/Ext_Ref2+ < AV_{DD}$), the lower nonlinearity is similar. However, the upper portion of the transfer function follows the ideal line right to the end (V_{REF} in this case, not AV_{DD}), showing no signs of endpoint linearity errors.

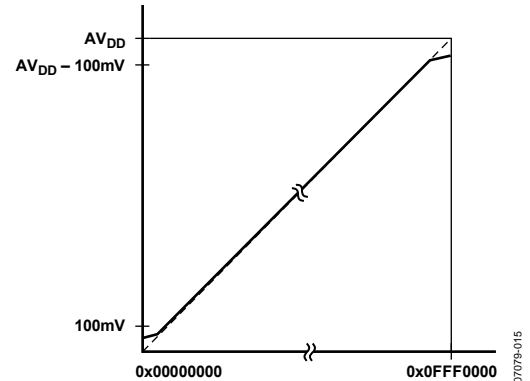


Figure 15. Endpoint Nonlinearities Due to Amplifier Saturation

The endpoint nonlinearities conceptually illustrated in Figure 15 worsen as a function of output loading. Most of the ADuC7060 data sheet specifications in normal mode assume a 5 k Ω resistive load to ground at the DAC output. As the output is forced to source or sink more current, the nonlinear regions at the top or bottom (respectively) of Figure 15 become larger. With larger current demands, this can significantly limit output voltage swing.

DAC Interpolation Mode

In Interpolation mode, a higher DAC output resolution of 16-bits is achieved with a longer update rate than normal mode. The update rate is controlled by the Interpolation clock rate selected in the $DACCON$ register. In this mode, an external RC filter is required to create a constant voltage.

OP-AMP Mode

In op-amp mode, the DAC output buffer is used as an op-amp with the DAC itself disabled.

ADC6 is the positive input to the op-amp, ADC7 is the negative input and ADC8 is the output. In this mode, the DAC should be powered down by setting Bit 9 of $DACCON$.

NONVOLATILE FLASH/EE MEMORY

The ADuC706x incorporates Flash/EE memory technology on-chip to provide the user with nonvolatile, in-circuit reprogrammable memory space.

Like EEPROM, flash memory can be programmed in-system at a byte level, although it must first be erased. The erase is performed in page blocks. As a result, flash memory is often, and more correctly referred to as Flash/EE memory.

Overall, Flash/EE memory represents a step closer to the ideal memory device that includes nonvolatility, in-circuit programmability, high density, and low cost. Incorporated in the ADuC706x, Flash/EE memory technology allows the user to update program code space in-circuit, without the need to replace one time programmable (OTP) devices at remote operating nodes.

Each part contains a 64 kB array of Flash/EE memory. The lower 62 kB is available to the user and the upper 2 kB contain permanently embedded firmware, allowing in-circuit serial download. These 2 kB of embedded firmware also contain a power-on configuration routine that downloads factory-calibrated coefficients to the various calibrated peripherals (such as ADC, temperature sensor, and band gap references). This 2 kB embedded firmware is hidden from user code.

FLASH/EE MEMORY RELIABILITY

The Flash/EE memory arrays on the parts are fully qualified for two key Flash/EE memory characteristics: Flash/EE memory cycling endurance and Flash/EE memory data retention.

Endurance quantifies the ability of the Flash/EE memory to be cycled through many program, read, and erase cycles. A single endurance cycle is composed of four independent, sequential events, defined as

- Initial page erase sequence.
- Read/verify sequence a single Flash/EE.
- Byte program sequence memory.
- Second read/verify sequence endurance cycle.

In reliability qualification, every half word (16-bit wide) location of the three pages (top, middle, and bottom) in the Flash/EE memory is cycled 10,000 times from 0x0000 to 0xFFFF. The Flash/EE memory endurance qualification is carried out in accordance with JEDEC Retention Lifetime Specification A117 over the industrial temperature range of -40° to $+125^{\circ}\text{C}$. The results allow the specification of a minimum endurance figure over a supply temperature of 10,000 cycles.

Retention quantifies the ability of the Flash/EE memory to retain its programmed data over time. Again, the parts are qualified in accordance with the formal JEDEC Retention Lifetime Specification A117 at a specific junction temperature ($T_j = 85^{\circ}\text{C}$). As part of this qualification procedure, the Flash/EE memory is cycled to its specified endurance limit, described previously, before data retention is characterized. This means that the Flash/EE memory is guaranteed to retain its data for its fully specified retention lifetime every time the Flash/EE memory is reprogrammed. Also note that retention lifetime, based on activation energy of 0.6 eV, derates with T_j as shown in Figure 16.

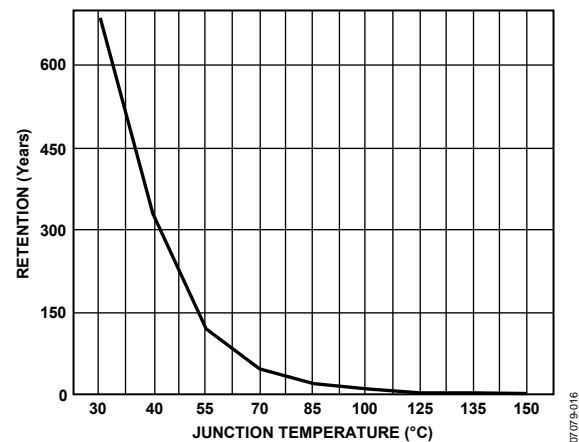


Figure 16. Flash/EE Memory Data Retention

PROGRAMMING

The 62 kB of Flash/EE memory can be programmed in-circuit, using the serial download mode or the provided JTAG mode.

Serial Downloading (In-Circuit Programming)

The ADuC706x facilitates code download via the standard UART serial port. The parts enter serial download mode after a reset or power cycle if the BM pin is pulled low through an external 1 k Ω resistor. Once in serial download mode, the user can download code to the full 62 kB of Flash/EE memory while the device is in-circuit in its target application hardware. An executable PC serial download is provided as part of the development system for serial downloading via the UART.

JTAG Access

The JTAG protocol uses the on-chip JTAG interface to facilitate code download and debug.

PROCESSOR REFERENCE PERIPHERALS

INTERRUPT SYSTEM

There are 15 interrupt sources on the ADuC706x that are controlled by the interrupt controller. All interrupts are generated from the on-chip peripherals, except for the software interrupt (SWI) which is programmable by the user. The ARM7TDMI CPU core only recognizes interrupts as one of two types: a normal interrupt request (IRQ) and a fast interrupt request (FIQ). All the interrupts can be masked separately.

The control and configuration of the interrupt system is managed through a number of interrupt-related registers. The bits in each IRQ and FIQ register represent the same interrupt source as described in Table 60.

The ADuC706x contains a vectored interrupt controller (VIC) that supports nested interrupts up to eight levels. The VIC also allows the programmer to assign priority levels to all interrupt sources. Interrupt nesting needs to be enabled by setting the ENIRQN bit in the IRQCONN register. A number of extra MMRs are used when the full vectored interrupt controller is enabled.

IRQSTA/FIQSTA should be saved immediately upon entering the interrupt service routine (ISR) to ensure that all valid interrupt sources are serviced.

Table 60. IRQ/FIQ MMRs Bit Designations

Bit	Description	Comments
0	All interrupts OR'ed (FIQ only)	This bit is set if any FIQ is active
1	Software Interrupt	User programmable interrupt source
2	Undefined	This bit is not used
3	Timer0	General-Purpose Timer 0
4	Timer1 or wake-up timer	General-Purpose Timer 1 or wake-up timer
5	Timer2 or watchdog timer	General-Purpose Timer 2 or watchdog timer
6	Timer3 or STI timer	General-Purpose Timer 3
7	Undefined	This bit is not used
8	Undefined	This bit is not used
9	Undefined	This bit is not used
10	ADC	ADC interrupt source bit
11	UART	UART interrupt source bit
12	SPI	SPI interrupt source bit
13	XIRQ0 (GPIO IRQ0)	External Interrupt 0
14	XIRQ1 (GPIO IRQ1)	External Interrupt 1
15	I2C Master IRQ	I ² C master interrupt source bit
16	I2C Slave IRQ	I ² C slave interrupt source bit
17	PWM	PWM Trip interrupt source bit
18	XIRQ2 (GPIO IRQ2)	External Interrupt 2
19	XIRQ3 (GPIO IRQ3)	External Interrupt 3

IRQ

The IRQ is the exception signal to enter the IRQ mode of the processor. It services general-purpose interrupt handling of internal and external events.

All 32 bits are logically OR'ed to create a single IRQ signal to the ARM7TDMI core. The four 32-bit registers dedicated to IRQ follow.

IRQSIG

IRQSIG reflects the status of the different IRQ sources. If a peripheral generates an IRQ signal, the corresponding bit in the IRQSIG is set; otherwise, it is cleared. The IRQSIG bits clear when the interrupt in the particular peripheral is cleared. All IRQ sources can be masked in the IRQEN MMR. IRQSIG is read only.

IRQSIG Register

Name: IRQSIG
 Address: 0xFFFF0004
 Default value: 0x00000000
 Access: Read only

IRQEN

IRQEN provides the value of the current enable mask. When a bit is set to 1, the corresponding source request is enabled to create an IRQ exception. When a bit is set to 0, the corresponding source request is disabled or masked which does not create an IRQ exception. The IRQEN register cannot be used to disable an interrupt.

IRQEN Register

Name: IRQEN
 Address: 0xFFFF0008
 Default value: 0x00000000
 Access: Read/write

IRQCLR

IRQCLR is a write-only register that allows the IRQEN register to clear in order to mask an interrupt source. Each bit that is set to 1 clears the corresponding bit in the IRQEN register without affecting the remaining bits. The pair of registers, IRQEN and IRQCLR, allows independent manipulation of the enable mask without requiring an atomic read-modify-write.

IRQCLR Register

Name: IRQCLR
 Address: 0xFFFF000C
 Default value: 0x00000000
 Access: Write only

IRQSTA

IRQSTA is a read-only register that provides the current enabled IRQ source status (effectively a logic AND of the IRQSIG and IRQEN bits). When set to 1, that source generates an active IRQ request to the ARM7TDMI core. There is no priority encoder or interrupt vector generation. This function is implemented in software in a common interrupt handler routine.

IRQSIG Register

Name: IRQSTA
 Address: 0xFFFF0000
 Default value: 0x00000000
 Access: Read only

FAST INTERRUPT REQUEST (FIQ)

The fast interrupt request (FIQ) is the exception signal to enter the FIQ mode of the processor. It is provided to service data transfer or communication channel tasks with low latency. The FIQ interface is identical to the IRQ interface and provides the second level interrupt (highest priority). Four 32-bit registers are dedicated to FIQ: FIQSIG, FIQEN, FIQCLR, and FIQSTA.

Bit 31 to Bit 1 of FIQSTA are logically OR'ed to create the FIQ signal to the core and to Bit 0 of both the FIQ and IRQ registers (FIQ source).

The logic for FIQEN and FIQCLR does not allow an interrupt source to be enabled in both IRQ and FIQ masks. A bit set to 1 in FIQEN clears, as a side effect, the same bit in IRQEN. Likewise, a bit set to 1 in IRQEN clears, as a side effect, the same bit in FIQEN. An interrupt source can be disabled in both IRQEN and FIQEN masks.

FIQSIG

FIQSIG reflects the status of the different FIQ sources. If a peripheral generates an FIQ signal, the corresponding bit in the FIQSIG is set, otherwise it is cleared. The FIQSIG bits are cleared when the interrupt in the particular peripheral is cleared. All FIQ sources can be masked in the FIQEN MMR. FIQSIG is read only.

FIQSIG Register

Name: FIQSIG
 Address: 0xFFFF0104
 Default value: 0x00000000
 Access: Read only

FIQEN

FIQEN provides the value of the current enable mask. When a bit is set to 1, the corresponding source request is enabled to create an FIQ exception. When a bit is set to 0, the corresponding source request is disabled or masked which does not create an FIQ exception. The FIQEN register cannot be used to disable an interrupt.

FIQEN Register

Name: FIQEN
 Address: 0xFFFF0108
 Default value: 0x00000000
 Access: Read/write

FIQCLR

FIQCLR is a write-only register that allows the FIQEN register to clear in order to mask an interrupt source. Each bit that is set to 1 clears the corresponding bit in the FIQEN register without affecting the remaining bits. The pair of registers, FIQEN and FIQCLR, allows independent manipulation of the enable mask without requiring an atomic read-modify-write.

FIQCLR Register

Name: FIQCLR
 Address: 0xFFFF010C
 Default value: 0x00000000
 Access: Write only

FIQSTA

FIQSTA is a read-only register that provides the current enabled FIQ source status (effectively a logic AND of the FIQSIG and FIQEN bits). When set to 1, that source generates an active FIQ request to the ARM7TDMI core. There is no priority encoder or interrupt vector generation. This function is implemented in software in a common interrupt handler routine.

FIQSTA Register

Name: FIQSTA
 Address: 0xFFFF0100
 Default value: 0x00000000
 Access: Read only

Programmed Interrupts

Because the programmed interrupts are not maskable, they are controlled by another register (SWICFG) that writes into both IRQSTA and IRQSIG registers and/or the FIQSTA and FIQSIG registers at the same time.

The 32-bit register dedicated to software interrupt is SWICFG described in Table 61. This MMR allows the control of a programmed source interrupt.

Table 61. SWICFG MMR Bit Designations

Bit	Description
31 to 3	Reserved.
2	Programmed Interrupt FIQ. Setting/clearing this bit corresponds to setting/clearing Bit 1 of FIQSTA and FIQSIG.
1	Programmed Interrupt IRQ. Setting/clearing this bit corresponds to setting/clearing Bit 1 of IRQSTA and IRQSIG.
0	Reserved.

Any interrupt signal must be active for at least the minimum interrupt latency time, to be detected by the interrupt controller and to be detected by the user in the IRQSTA/FIQSTA register.

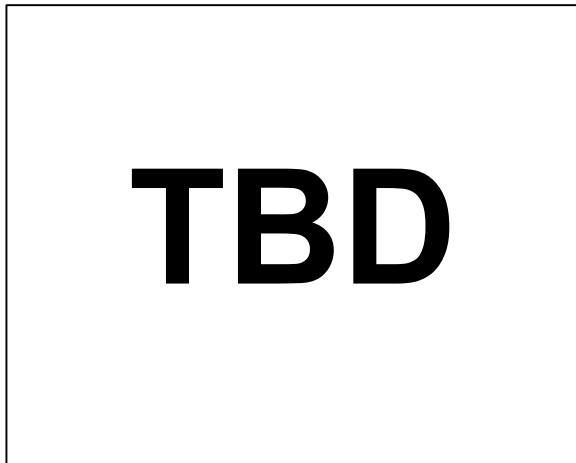


Figure 17. Interrupt Structure

Vectored Interrupt Controller (VIC)

The ADuC7060 incorporates an enhanced interrupt control system or vectored interrupt controller. The vectored interrupt controller for IRQ interrupt sources is enabled by setting Bit 0 of the IRQCONN register. Similarly, Bit 1 of IRQCONN enables the vectored interrupt controller for the FIQ interrupt sources. The vectored interrupt controller provides the following enhancements to the standard IRQ/FIQ interrupts:

- Vectored Interrupts. This allows a user to define separate interrupt service routine addresses for every interrupt source. This is achieved by using the IRQBASE and IRQVEC registers.
- IRQ/FIQ interrupts can be nested up to eight levels depending on the priority settings. An FIQ still has a higher priority than an IRQ. There fore, if the VIC is

enabled for both the FIQ and IRQ and prioritization is maximized, then it is possible to have 16 separate interrupt levels.

- Programmable Interrupt Priorities. Using the IRQP0 to IRQP2 registers, an interrupt source can be assigned an interrupt priority level value between 1 and 8.

VIC MMRs

IRQBASE Register

The vector base register, IRQBASE, is used to point to the start address of memory used to store 32 pointer addresses. These pointer addresses are the addresses of the individual interrupt service routines.

Name: IRQBASE
 Address: 0xFFFF0014
 Default value: 0x00000000
 Access: Read and write

Table 62. IRQBASE MMR Bit Designations

Bit	Type	Initial value	Description
31:16	Read only	Reserved	Always read as 0.
15:0	R/W	0	Vector Base address

IRQVEC Register

The IRQ interrupt vector register, IRQVEC points to a memory address containing a pointer to the interrupt service routine of the currently active IRQ. This register should only be read when an IRQ occurs and IRQ interrupt nesting has been enabled by setting Bit 0 of the IRQCONN register.

Name: IRQVEC
 Address: 0xFFFF001C
 Default value: 0x00000000
 Access: Read only

Table 63. IRQVEC MMR Bit Designations

Bit	Type	Initial value	Description
31:23	Read only	0	Always read as 0.
22:7	R/W	0	IRQBASE register value
6:2		0	Highest PriorityIRQ source. This will be a value between 0 to 19 representing the possible interrupt sources. For example, if the highest currently active IRQ is Timer 1, then these bits are [01000]
1:0	Reserved	0	Reserved bits.

Priority Registers

The IRQ interrupt vector register, IRQVEC points to a memory address containing a pointer to the interrupt service routine of the currently active IRQ. This register should only be read when an IRQ occurs and IRQ interrupt nesting has been enabled by setting Bit 0 of the IRQCONN register.

IRQP0 Register

Name: IRQP0
 Address: 0xFFFF0020
 Default value: 0x00000000
 Access: Read and write

Table 64. IRQP0 MMR Bit Designations

Bit	Name	Description
31:27	Reserved	Reserved bits.
26:24	T3PI	A priority level of 0 to 7 can be set for Timer 3.
23	Reserved	Reserved bit.
22:20	T2PI	A priority level of 0 to 7 can be set for Timer 2.
19	Reserved	Reserved bit.
18:16	T1PI	A priority level of 0 to 7 can be set for Timer 1.
15	Reserved	Reserved bit.
14:12	TOP1	A priority level of 0 to 7 can be set for Timer 0.
11:7	Reserved	Reserved bits.
6:4	SWINTP	A priority level of 0 to 7 can be set for the software interrupt source.
3:0	Reserved	Interrupt 0 cannot be prioritized.

IRQP1 Register

Name: IRQP1
 Address: 0xFFFF0024
 Default value: 0x00000000
 Access: Read and write

Table 65. IRQP1 MMR Bit Designations

Bit	Name	Description
31	Reserved	Reserved bit.
30	I2CMPI	A priority level of 0 to 7 can be set for I ² C master.
:28	Reserved	Reserved bit.
27	Reserved	Reserved bit.
26:24	IRQ1PI	A priority level of 0 to 7 can be set for IRQ1.
23	Reserved	Reserved bit.
22:20	IRQ0PI	A priority level of 0 to 7 can be set for IRQ0.
19	Reserved	Reserved bit.
18:16	SPIMPI	A priority level of 0 to 7 can be set for SPI master.
15	Reserved	Reserved bit.
14:12	UARTPI	A priority level of 0 to 7 can be set for UART.
11	Reserved	Reserved bit.
10:8	ADCPI	A priority level of 0 to 7 can be set for the ADC interrupt source.
7:0	Reserved	Reserved bits.

IRQP2 Register

Name: IRQP2
 Address: 0xFFFF0028
 Default value: 0x00000000
 Access: Read and write

Table 66. IRQP2 MMR Bit Designations

Bit	Name	Description
31:15	Reserved	Reserved bit.
14:12	IRQ3PI	A priority level of 0 to 7 can be set for IRQ3.
11	Reserved	Reserved bit.
10:8	IRQ2PI	A priority level of 0 to 7 can be set for IRQ2.
7	Reserved	Reserved bit.
6:4	SPISPI	A priority level of 0 to 7 can be set for SPI slave.
3	Reserved	Reserved bit.
2:0	I2CSPI	A priority level of 0 to 7 can be set for I ² C slave.

IRQCONN Register

The IRQCONN register is the IRQ and FIQ control register. It contains two active bits. The first to enable nesting and prioritization of IRQ interrupts the other to enable nesting and prioritization of FIQ interrupts.

If these bits are cleared, then FIQs and IRQs may still be used but it is not possible to nest IRQs or FIQs. Neither is it possible to set an interrupt source priority level. In this default state, an FIQ does have a higher priority than an IRQ.

Name: IRQCONN
 Address: 0xFFFF0030
 Default value: 0x00000000
 Access: Read and write

Table 67. IRQCONN MMR Bit Designations

Bit	Name	Description
31:2	Reserved	These bits are reserved and should not be written to.
1	ENFIQN	Setting this bit to 1 enables nesting of FIQ interrupts. Clearing this bit means no nesting or prioritization of FIQs is allowed.
0	ENIRQN	Setting this bit to 1 enables nesting of IRQ interrupts. Clearing this bit means no nesting or prioritization of IRQs is allowed.

IRQSTAN Register

If IRQCONN.0 is asserted and IRQVEC is read then one of these bits is asserted. The bit that asserts depend on the priority of the IRQ. If the IRQ is of Priority 0 then Bit 0 asserts, Priority 1 then Bit 1 asserts, and so forth. When a bit is set in this register, all interrupts of that priority and lower are blocked.

To clear a bit in this register, all bits of a higher priority must be cleared first. It is only possible to clear one bit at a time. For example, if this register is set to 0x09 then writing 0xFF changes the register to 0x08, and writing 0xFF a second time changes the register to 0x00.

Name: IRQSTAN
 Address: 0xFFFF003C
 Default value: 0x00000000
 Access: Read and write

Table 68. IRQSTAN MMR Bit Designations

Bit	Name	Description
31:8	Reserved	These bits are reserved and should not be written to.
7:0		Setting this bit to 1 enables nesting of FIQ interrupts. Clearing this bit, means no nesting or prioritization of FIQs is allowed.

FIQVEC Register

The FIQ interrupt vector register, FIQVEC points to a memory address containing a pointer to the interrupt service routine of the currently active FIQ. This register should only be read when an FIQ occurs and FIQ interrupt nesting has been enabled by setting Bit 1 of the IRQCONN register.

Name: FIQVEC
 Address: 0xFFFF011C
 Default value: 0x00000000
 Access: Read only

Table 69. FIQVEC MMR Bit Designations

Bit	Type	Initial Value	Description
31:23	Read only	0	Always read as 0.
22:7	R/W	0	IRQBASE register value.
6:2		0	Highest PriorityFIQ Source. This is a value between 0 to 19 represent the possible interrupt sources. For example, if the highest currently active FIQ is Timer 1, then these bits are [01000].
1:0	Reserved	0	Reserved bits.

FIQSTAN Register

If IRQCONN.1 is asserted and FIQVEC is read then one of these bits assert. The bit that asserts depends on the priority of the FIQ. If the FIQ is of Priority 0 then Bit 0 asserts, Priority 1 then Bit 1 asserts, and so forth.

When a bit is set in this register all interrupts of that priority and lower are blocked.

To clear a bit in this register all bits of a higher priority must be cleared first. It is only possible to clear one bit as a time. For example if this register is set to 0x09 then writing 0xFF changes the register to 0x08 and writing 0xFF a second time changes the register to 0x00.

Name: FIQSTAN
 Address: 0xFFFF013C
 Default value: 0x00000000
 Access: Read and write

Table 70. FIQSTAN MMR Bit Designations

Bit	Name	Description
31:8	Reserved	These bits are reserved and should not be written to.
7:0		Setting this bit to 1 enables nesting of FIQ interrupts. Clearing this bit, means no nesting or prioritization of FIQs is allowed.

External Interrupts (IRQ0 to IRQ3)

The ADuC706x provides up to four external interrupt sources. These external interrupts can be individually configured as level or rising/falling edge triggered.

To enable the external interrupt source, first of all, the appropriate bit must be set in the FIQEN or IRQEN register. To select the required edge or level to trigger on, the IRQCONE register must be appropriately configured.

To properly clear an edge based external IRQ interrupt, set the appropriate bit in the EDGELEVELCLR register.

IRQCONE Register

Name:	IRQCONE
Address:	0xFFFF0034
Default value:	0x00000000
Access:	Read and write

Table 71. IRQCONEMMR Bit Designations

Bit	Value	Name	Description
31:8		Reserved	These bits are reserved and should not be written to.
7:6	11	IRQ3SRC[1:0]	External IRQ3 triggers on falling edge
	10		External IRQ3 triggers on rising edge
	01		External IRQ3 triggers on low level
	00		External IRQ3 triggers on high level
5:4	11	IRQ2SRC[1:0]	External IRQ2 triggers on falling edge
	10		External IRQ2 triggers on rising edge
	01		External IRQ2 triggers on low level
	00		External IRQ2 triggers on high level
3:2	11	IRQ1SRC[1:0]	External IRQ1 triggers on falling edge
	10		External IRQ1 triggers on rising edge
	01		External IRQ1 triggers on low level
	00		External IRQ1 triggers on high level
1:0	11	IRQ0SRC[1:0]	External IRQ0 triggers on falling edge
	10		External IRQ0 triggers on rising edge
	01		External IRQ0 triggers on low level
	00		External IRQ0 triggers on high level

IRQCLRE Register

Name: IRQCLRE
 Address: 0xFFFF0038
 Default value: 0x00000000
 Access: Read and write

Table 72. IRQCLRE MMR Bit Designations

Bit	Name	Description
31:20	Reserved	These bits are reserved and should not be written to.
19	IRQ3CLRI	A 1 must be written to this bit in the IRQ3 interrupt service routine to clear an edge triggered IRQ3 interrupt.
18	IRQ2CLRI	A 1 must be written to this bit in the IRQ2 interrupt service routine to clear an edge triggered IRQ2 interrupt.
17:15	Reserved	These bits are reserved and should not be written to.
14	IRQ1CLRI	A 1 must be written to this bit in the IRQ1 interrupt service routine to clear an edge triggered IRQ1 interrupt.
13	IRQ0CLRI	A 1 must be written to this bit in the IRQ0 interrupt service routine to clear an edge triggered IRQ0 interrupt.
12:0	Reserved	These bits are reserved and should not be written to.

TIMERS

The ADuC706x features four general-purpose timer/counters.

- Timer0
- Timer1 or wake-up timer
- Timer2 or watchdog timer
- Timer3

The four timers in their normal mode of operation can either be free running or periodic.

In free running mode, the counter decrements/increments from the maximum or minimum value until zero/full scale and starts again at the maximum or minimum value.

In periodic mode, the counter decrements/increments from the value in the load register (TxLD MMR,) until zero/full scale and starts again at the value stored in the load register. Note that the TxLD MMR should be configured before the TxCON MMR.

The value of a counter can be read at any time by accessing its value register (TxVAL). Timers are started by writing in the control register of the corresponding timer (TxCON).

In normal mode, an IRQ is generated each time the value of the counter reaches zero (if counting down) or full scale (if counting up). An IRQ can be cleared by writing any value to the clear register of the particular timer (TxCLRI).

Table 73. Timer Event Capture

Bit	Description
0	Reserved
1	Timer0
2	Timer1 or wake-up timer
3	Timer2 or watchdog timer
4	Timer3
5	Reserved
6	Reserved
7	Reserved
8	ADC
9	UART
10	SPI
11	XIRQ0
12	XIRQ1
13	I ² C Master
14	I ² C Slave
15	PWM
16	XIRQ2 (GPIO IRQ2)
17	XIRQ3 (GPIO IRQ3)

TIMER0

Timer0 is a 32-bit general-purpose timer, count down or count up, with a programmable prescaler. The prescaler source can be the low power 32.768 kHz oscillator, the core clock, or from one of two external GPIOs. This source can be scaled by a factor of 1, 16, 256, or 32,768. This gives a minimum resolution of 97.66 ns with a prescaler of 1 (ignoring the external GPIOs).

The counter can be formatted as a standard 32-bit value or as hours:minutes:seconds:hundredths.

Timer0 has a capture register (T0CAP) that is triggered by a selected IRQ source initial assertion. When triggered, the current timer value is copied to T0CAP, and the timer continues to run. This feature can be used to determine the assertion of an event with increased accuracy.

Note: Only peripherals that have their IRQ source enabled can be used with the Timer capture feature.

The Timer0 interface consists of five MMRS.

T0LD, T0VAL, and T0CAP are 32-bit registers and hold 32-bit unsigned integers. T0VAL and T0CAP are read only.

T0CLR1 is an 8-bit register. Writing any value to this register clears the Timer0 interrupt.

T0CON is the configuration MMR described in Table 74.

Timer0 features a postscaler allowing the user to count between 1 and 256 the number of Timer0 timeouts. To activate the postscaler, the user sets Bit 18 and writes the desired number to count into Bits[24:31] of T0CON. When that number of timeouts has been reached, Timer0 can generate an interrupt if T0CON[18] is set.

Note that if the part is in a low power mode, and Timer0 is clocked from the GPIO or low power oscillator source, Timer0 continues to operate.

Timer0 reloads the value from T0LD when Timer0 overflows.

Timer0 Load Registers

Name:	T0LD
Address:	0xFFFF0320
Default value:	0x00000000
Access:	Read/write
Function:	T0LD is a 32-bit register that holds the 32-bit value that is loaded into the counter.

Timer0 Clear Register

Name:	T0CLR1
Address:	0xFFFF032C
Access:	Write only
Function:	This 32-bit, write-only MMR is written (with any value) by user code to clear the interrupt.

Timer0 Value Register

Name:	T0VAL
Address:	0xFFFF0324
Default value:	0xFFFFFFFF
Access:	Read only
Function:	T0VAL is a 32-bit register that holds the current value of Timer0.

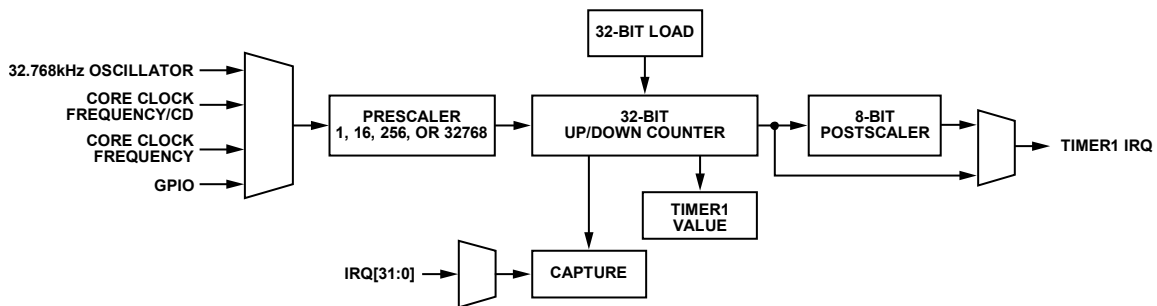


Figure 18. Timer0 Block Diagram

07079-017

Timer0 Capture Register

Name: T0CAP
 Address: 0xFFFF0330
 Default value: 0x00000000
 Access: Read only
 Function: This 32-bit register holds the 32-bit value captured by an enabled IRQ event.

Timer0 Control Register

Name: T0CON
 Address: 0xFFFF0328
 Default value: 0x01000000
 Access: Read/write
 Function: This 32-bit MMR configures the mode of operation of Timer0.

Table 74. T0CON MMR Bit Designations

Bit	Name	Description
31 to 24	T0PVAL	8-Bit Postscaler. By writing to these eight bits, a value is written to the postscaler. Writing 0 is interpreted as a 1. By reading these eight bits, the current value of the counter is read.
23	T0PEN	Timer0 Enable Postscaler. Set to enable the Timer0 postscaler. If enabled, interrupts are generated after T0CON[31:24] periods as defined by T0LD. Cleared to disable the Timer0 postscaler.
22 to 20		Reserved. These bits are reserved and should be written as 0 by user code.
19	T0PCF	Postscaler Compare Flag. Read only. Set if the number of Timer0 overflows is equal to the number written to the postscaler.
18	T0SRCI	Timer0 Interrupt Source. Set to select interrupt generation from the postscaler counter. Cleared to select interrupt generation directly from Timer0.
17	T0CAPEN	Event Enable Bit. Set by user to enable time capture of an event. Cleared by user to disable time capture of an event.
16 to 12	T0CAPSEL	Event select Bits[0:31]. The events are described in (Table TBD).
11		Reserved bit.
10 to 9	T0CLKSEL	Clock Select. 00 = 32.768 kHz 01 = 10.24 MHz/CD 10 = 10.24 MHz 11 = P1.0
8	T0DIR	Count Up. Set by user for Timer0 to count up. Cleared by user for Timer0 to count down (default).
7	T0EN	Timer0 Enable Bit. Set by user to enable Timer0. Cleared by user to disable Timer0 (default).
6	T0MOD	Timer0 Mode. Set by user to operate in periodic mode. Cleared by user to operate in free running mode (default).

Bit	Name	Description
5 to 4	T0FORMAT	Format. 00 = binary (default). 01 = reserved. 10 = hours:minutes:seconds:hundredths (23 hours to 0 hours). 11 = hours:minutes:seconds:hundredths (255 hours to 0 hours).
3 to 0	T0SCALE	Prescaler. 0000 = source clock/1 (default). 0100 = source clock/16. 1000 = source clock/256. 1111 = source clock/32,768. Note, 10XX = undefined

TIMER1 OR WAKE-UP TIMER

Timer1 is a 32-bit wake-up timer, count down or count up, with a programmable prescaler. The prescaler is clocked directly from one of four clock sources, namely, the core clock (which is the default selection), the low power 32.768 kHz oscillators, external 32.768 kHz watch crystal, or the precision 32.768 kHz oscillator. The selected clock source can be scaled by a factor of 1, 16, 256, or 32,768. The wake-up timer continues to run when the core clock is disabled. This gives a minimum resolution of 97.66 ns when operating at CD zero, the core is operating at 10.24 MHz, and with a prescaler of 1 (ignoring the external GPIOs).

The counter can be formatted as a plain 32-bit value or as hours:minutes:seconds:hundredths.

Timer1 reloads the value from T1LD either when Timer1 overflows or immediately when T1CLRI is written.

The Timer1 interface consists of four MMRS.

T1LD and T1VAL are 32-bit registers and hold 32-bit unsigned integers. T1VAL is read only.

T1CLRI is an 8-bit register. Writing any value to this register clears the Timer1 interrupt.

T1CON is the configuration MMR described in Table 75.

Timer1 Load Registers

Name:	T1LD
Address:	0xFFFF0340
Default value:	0x00000000
Access:	Read/write
Function:	T1LD is a 32-bit register that holds the 32-bit value that is loaded into the counter.

Timer1 Clear Register

Name:	T1CLRI
Address:	0xFFFF034C
Access:	Write only
Function:	This 32-bit, write only MMR is written (with any value) by user code to clear the interrupt.

Timer1 Value Register

Name:	T1VAL
Address:	0xFFFF0344
Default value:	0xFFFFFFFF
Access:	Read only
Function:	T1VAL is a 32-bit register that holds the current value of Timer1.

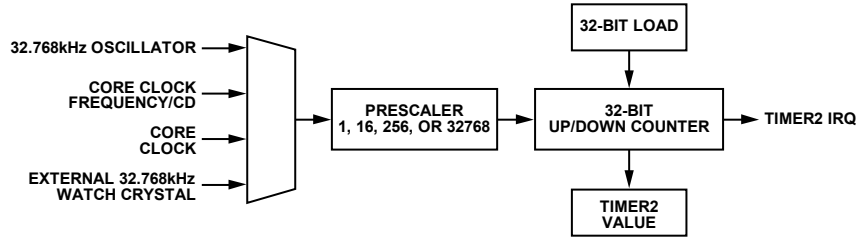


Figure 19. Timer1 Block Diagram

Timer1 Control Register

Name: T1CON
 Address: 0xFFFF0348
 Default value: 0x0000
 Access: Read/write
 Function: This 16-bit MMR configures the mode of operation of Timer1.

Table 75. T1CON MMR Bit Designations

Bit	Name	Description
15 to 11		Reserved.
10 to 9	T1CLKSEL	Clock Source Select. 00 = 32.768 kHz oscillator 01 = 10.24 MHz/CD 10 = XTAL2 11 = 10.24 MHz
8	T1DIR	Count Up. Set by user for Timer1 to count up. Cleared by user for Timer1 to count down (default).
7	T1EN	Timer1 Enable Bit. Set by user to enable Timer1. Cleared by user to disable Timer1 (default).
6	T1MOD	Timer1 Mode. Set by user to operate in periodic mode. Cleared by user to operate in free running mode (default).
5 to 4	T1FORMAT	Format. 00 = binary (default). 01 = reserved. 10 = hours:minutes:seconds:hundredths (23 hours to 0 hours). This is only valid with a 32 kHz clock. 11 = hours:minutes:seconds:hundredths (255 hours to 0 hours). This is only valid with a 32 kHz clock.
3 to 0	T1SCALE	Prescaler. 0000 = source clock/1 (default). 0100 = source clock/16. 1000 = source clock/256. This setting should be used in conjunction with Timer1 in the format hours:minutes:seconds:hundredths. See Format 10 and Format 11 listed with Bits[5:4] in this Table 75. 1111 = source clock/32,768.

TIMER2 OR WATCHDOG TIMER

Timer2 has two modes of operation, normal mode and watchdog mode. The watchdog timer is used to recover from an illegal software state. When enabled, it requires periodic servicing to prevent it from forcing a reset of the processor.

Timer2 reloads the value from T2LD either when Timer2 overflows or immediately when T2CLRI is written.

Normal Mode

The Timer2 in normal mode is identical to Timer0 in 16-bit mode of operation, except for the clock source. The clock source is the low power, 32.768 kHz oscillator scalable by a factor of 1, 16, or 256.

Watchdog Mode

Watchdog mode is entered by setting T2CON [5]. Timer2 decrements from the timeout value present in the T2LD register until zero. The maximum timeout is 512 seconds, using a maximum prescaler/256 and full scale in T2LD.

User software should not configure a timeout period of less than 30 ms. This is to avoid any conflict with Flash/EE memory page erase cycles that require 20 ms to complete a single page erase cycle and kernel execution.

If T2VAL reaches 0, a reset or an interrupt occurs, depending on T2CON [1]. To avoid a reset or an interrupt event, any value must be written to T2CLRI before T2VAL reaches zero. This reloads the counter with T2LD and begins a new timeout period.

When watchdog mode is entered, T2LD and T2CON are write protected. These two registers cannot be modified until a power-on reset event resets the watchdog timer. After any other reset event, the watchdog timer continues to count. To avoid an infinite loop of watchdog resets, configure the watchdog timer in the initial lines of user code. User software should only configure a minimum timeout period of 30 ms.

Timer2 halts automatically during JTAG debug access and only recommences counting after JTAG has relinquished control of the ARM7 core. By default, Timer2 continues to count during power-down. To disable this, set Bit 0 in T2CON. It is recommended to use the default value, that is, that the watchdog timer continues to count during power-down.

Timer2 Interface

The Timer2 interface consists of four MMRs.

- T2CON is the configuration MMR described in (Table TBD).
- T2LD and T2VAL are 16-bit registers (Bit 0 to Bit 15) and hold 16-bit unsigned integers. T2VAL is read only.
- T2CLRI is an 8-bit register. Writing any value to this register clears the Timer2 interrupt in normal mode or resets a new timeout period in watchdog mode.

Timer2 Load Register

Name:	T2LD
Address:	0xFFFFF0360
Default value:	0x0040
Access:	Read/write
Function:	This 16-bit MMR holds the Timer2 reload value.

Timer2 Value Register

Name:	T2VAL
Address:	0xFFFFF0364
Default value:	0x0040
Access:	Read only
Function:	This 16-bit, read-only MMR holds the current Timer2 count value.

Timer2 Clear Register

Name:	T2CLRI
Address:	0xFFFFF036C
Access:	Write only
Function:	This 16-bit, write-only MMR is written (with any value) by user code to refresh (reload) Timer2 in watchdog mode to prevent a watchdog timer reset event.

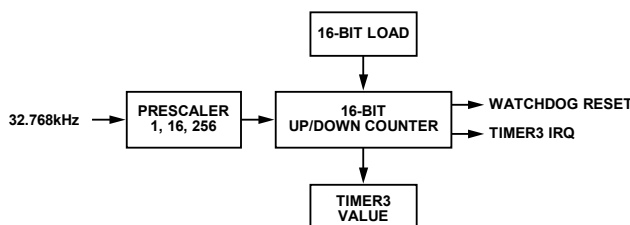


Figure 20. Timer2 Block Diagram

Timer2 Control Register

Name: T2CON

Address: 0xFFFF0368

Default value: 0x0000

Access: Read/write

Function: The 16-bit MMR configures the mode of operation of Timer2 as is described in detail in Table 76.

Table 76 T2CON MMR Bit Designations

Bit	Name	Description
15 to 9		Reserved. These bits are reserved and should be written as 0 by user code.
8	T2DIR	Count Up/Count Down Enable. Set by user code to configure Timer2 to count up. Cleared by user code to configure Timer2 to count down.
7	T2EN	Timer2 Enable. Set by user code to enable Timer2. Cleared by user code to disable Timer2.
6	T2MOD	Timer2 Operating Mode. Set by user code to configure Timer2 to operate in periodic mode. Cleared by user to configure Timer2 to operate in free running mode.
5	WDOGMDEN	Watchdog Timer Mode Enable. Set by user code to enable watchdog mode. Cleared by user code to disable watchdog mode.
4		Reserved. This bit is reserved and should be written as 0 by user code.
3 to 2		Timer2 Clock (32.768 kHz) Prescaler. 00 = 32.768 kHz (default) 01 = source clock/16. 10 = source clock/256. 11 = reserved.
1	WDOGENI	Watchdog Timer IRQ Enable. Set by user code to produce an IRQ instead of a reset when the watchdog reaches 0. Cleared by user code to disable the IRQ option.
0	T2PD OFF	Stop Timer2 when Power Down is Enabled. Set by the user code to stop Timer2 when the peripherals are powered down using Bit 4 in the POWCON MMR. Cleared by the user code to enable Timer2 when the peripherals are powered down using Bit 4 in the POWCON MMR.

TIMER3

Timer3 is a general-purpose, 16-bit, count up/count down timer with a programmable prescaler. Timer3 can be clocked from the core clock or the low power 32.768 kHz oscillator with a prescaler of 1, 16, 256, or 32,768.

Timer3 has a capture register (T3CAP) that can be triggered by a selected IRQ source initial assertion. Once triggered, the current timer value is copied to T3CAP, and the timer continues running. This feature can be used to determine the assertion of an event with increased accuracy.

Timer3 interface consists of five MMRs.

- T3LD, T3VAL, and T3CAP are 16-bit registers and hold 16-bit unsigned integers. T3VAL and T3CAP are read only.
- T3CLRI is an 8-bit register. Writing any value to this register clears the interrupt.
- T3CON is the configuration MMR described in Table 77.

Timer3 Load Registers

Name:	T3LD
Address:	0xFFFF0380
Default value:	0x00000
Access:	Read/write
Function:	T3LD 16-bit register holds the 16-bit value that is loaded into the counter.

Timer3 Clear Register

Name:	T3CLRI
Address:	0xFFFF038C
Access:	Write only
Function:	This 8-bit, write only MMR is written (with any value) by user code to clear the interrupt.

Timer3 Value Register

Name:	T3VAL
Address:	0xFFFF0384
Default value:	0xFFFF
Access:	Read only
Function:	T3VAL is a 16-bit register that holds the current value of Timer3.

Timer3 Capture Register

Name:	T3CAP
Address:	0xFFFF0390
Default value:	0x0000
Access:	Read only
Function:	This is a 16-bit register that holds the 32-bit value captured by an enabled IRQ event.

Timer3 Control Register

Name:	T3CON
Address:	0xFFFF0388
Default value:	0x00000000
Access:	Read/write
Function:	This 32-bit MMR configures the mode of operation of Timer3.

Table 77. T3CON MMR Bit Designations

Bit	Name	Description
31 to 18		Reserved.
17	T3CAPEN	Event Enable Bit. Set by user to enable time capture of an event. Cleared by user to disable time capture of an event.
16 to 12	T3CAPSEL	Event Select Range, 0 to 31. The events are described in (Table TBD).
11		Reserved.
10 to 9	T3CLKSEL	Clock Select. 00 = 32.768 kHz oscillator 01 = 10.24 MHz/CD 10 = 10.24 MHz 11 = reserved
8	T3DIR	Count Up. Set by user for Timer3 to count up. Cleared by user for Timer3 to count down (default).
7	T3EN	Timer3 Enable Bit. Set by user to enable Timer3. Cleared by user to disable Timer3 (default).
6	T3MOD	Timer3 Mode. Set by user to operate in periodic mode. Cleared by user to operate in free running mode. Default mode.
5 to 4		Reserved.
3 to 0	T3SCALE	Prescaler. 0000 = source clock/1 (default). 0100 = source clock/16. 1000 = source clock/256. 1111 = source clock/32,768.

PULSE-WIDTH MODULATOR (PWM)

PWM GENERAL OVERVIEW

The ADuC706x integrates a six channel PWM interface. The PWM outputs can be configured to drive an H-bridge or can be used as standard PWM outputs. On power up, the PWM outputs default to H-bridge mode. This ensures that the motor is turned off by default. In standard PWM mode, the outputs are arranged as three pairs of PWM pins. Users have control over the period of each pair of outputs and over the duty cycle of each individual output.

Table 78. PWM MMRs

Name	Description
PWMCON	PWM Control.
PWM0COM0	Compare Register 0 for PWM Output 0 and Output 1.
PWM0COM1	Compare Register 1 for PWM Output 0 and PWM Output 1.
PWM0COM2	Compare Register 2 for PWM Output 0 and PWM Output 1
PWM0LEN	Frequency control for PWM Output 0 and PWM Output 1.
PWM1COM0	Compare Register 0 for PWM Output 2 and PWM Output 3.
PWM1COM1	Compare Register 1 for PWM Output 2 and PWM Output 3.
PWM1COM2	Compare Register 2 for PWM Output 2 and PWM Output 3.
PWM1LEN	Frequency Control for PWM Output 2 and PWM Output 3.
PWM2COM0	Compare Register 0 for PWM Output 4 and PWM Output 5.
PWM2COM1	Compare Register 1 for PWM Output 4 and PWM Output 5.
PWM2COM2	Compare Register 2 for PWM Outputs 4 and PWM Output 5.
PWM2LEN	Frequency Control for PWM Output 4 and PWM Output 5.
PWMICLR	PWM interrupt clear.

In all modes, the PWMxCOMx MMRs controls the point at which the PWM outputs change state. An example of the first pair of PWM outputs (PWM0 and PWM1) is shown in Figure 21.

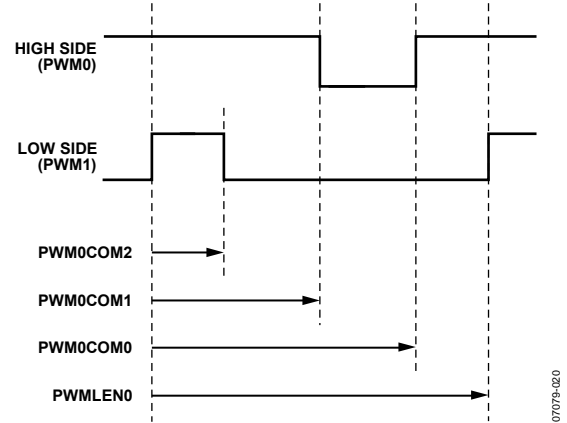


Figure 21. PWM Timing

The PWM clock is selectable via PWMCON with one of the following values: UCLK divided by 2, 4, 8, 16, 32, 64, 128, or 256. The length of a PWM period is defined by PWMxLEN.

The PWM waveforms are set by the count value of the 16-bit timer and the compare registers contents as shown with the PWM0 and PWM1 waveforms in (Figure TBD).

The low-side waveform, PWM1, goes high when the timer count reaches PWM0LEN, and it goes low when the timer count reaches the value held in PWM0COM2 or when the high-side waveform PWM0 goes low.

The high-side waveform, PWM0, goes high when the timer count reaches the value held in PWM0COM0, and it goes low when the timer count reaches the value held in PWM0COM1.

Table 79. PWMCON MMR Bit Designations

Bit	Name	Description
14	SYNC	Enables PWM Synchronization. Set to 1 by the user so that all PWM counters are reset on the next clock edge after the detection of a high-to-low transition on the SYNC pin. Cleared by user to ignore transitions on the SYNC pin.
13	PWM5INV	Set to 1 by the user to invert PWM5. Cleared by user to use PWM5 in normal mode.
12	PWM3NV	Set to 1 by the user to invert PWM3. Cleared by user to use PWM3 in normal mode.
11	PWM1INV	Set to 1 by the user to invert PWM1. Cleared by user to use PWM1 in normal mode.
10	PWMTRIP	Set to 1 by the user to enable PWM trip interrupt. When the PWMTRIP input is low, the PWMEN bit is cleared and an interrupt is generated. Cleared by user to disable the PWMTRIP interrupt.
9	ENA	If HOFF = 0 and HMODE = 1. Note: If not in H-Bridge mode, this bit has no effect. Set to 1 by the user to enable PWM outputs. Cleared by user to disable PWM outputs. If HOFF = 1 and HMODE = 1, see (Table TBD).
8:6	PWMC[2:0]	PWM Clock Prescaler Bits. Sets UCLK divider. [000] = UCLK/2. [001] = UCLK/4. [010] = UCLK/8. [011] = UCLK/16. [100] = UCLK/32. [101] = UCLK/64. [110] = UCLK/128. [111] = UCLK/256.
5	POINV	Set to 1 by the user to invert all PWM outputs. Cleared by user to use PWM outputs as normal.
4	HOFF	High Side Off. Set to 1 by the user to force PWM0 and PWM2 outputs high. This also forces PWM1 and PWM3 low. Cleared by user to use the PWM outputs as normal.
3	LCOMP	Load Compare Registers. Set to 1 by the user to load the internal compare registers with the values in PWMxCOMx on the next transition of the PWM timer from 0x00 to 0x01. Cleared by user to use the values previously stored in the internal compare registers.
2	DIR	Direction Control. Set to 1 by the user to enable PWM0 and PWM1 as the output signals while PWM2 and PWM3 are held low. Cleared by user to enable PWM2 and PWM3 as the output signals while PWM0 and PWM1 are held low.
1	HMODE	Enables H-Bridge Mode. ¹ Set to 1 by the user to enable H-Bridge mode and Bit 1 to Bit 5 of PWMCON. Cleared by user to operate the PWMs in standard mode.
0	PWMEN	Set to 1 by the user to enable all PWM outputs. Cleared by user to disable all PWM outputs.

¹ In H-bridge mode, HMODE = 1. See Table 80 to determine the PWM outputs.

On power-up, PWMCON defaults to 0x12 (HOFF = 1 and HMODE = 1). All GPIO pins associated with the PWM are configured in PWM mode by default (see Table 81). Clear the PWM trip interrupt by writing any value to the PWMICLR

MMR. Note that when using the PWM trip interrupt, the PWM interrupt should be cleared before exiting the ISR. This prevents generation of multiple interrupts.

Table 80. PWM Output Selection

PWMCOM0 MMR				PWM Outputs ¹			
ENA	HOFF	POINV	DIR	PWM0	PWM1	PWMR2	PWM3
0	0	x	x	1	1	1	1
x	1	x	x	1	0	1	0
1	0	0	0	0	0	HS1	LS1
1	0	0	1	HS1	LS1	0	0
1	0	1	0	HS1	LS1	1	1
1	0	1	1	1	1	HS1	LS1

¹ HS = high side, LS = low side.

Table 81. Compare Register

Name	Address	Default Value	Access
PWM0COM0	0xFFFF0F84	0x00	R/W
PWM0COM1	0xFFFF0F88	0x00	R/W
PWM0COM2	0xFFFF0F8C	0x00	R/W
PWM1COM0	0xFFFF0F94	0x00	R/W
PWM1COM1	0xFFFF0F98	0x00	R/W
PWM1COM2	0xFFFF0F9C	0x00	R/W
PWM2COM0	0xFFFF0FA4	0x00	R/W
PWM2COM1	0xFFFF0FA8	0x00	R/W
PWM2COM2	0xFFFF0FAC	0x00	R/W

PWM0COM0 Compare Register

Name: PWM0COM0
 Address: 0xFFFFF84
 Default value: 0x00
 Access: Read/write
 Function: PWM0 output pin goes high when the PWM timer reaches the count value stored in this register.

PWM0COM1 Compare Register

Name: PWM0COM1
 Address: 0xFFFFF88
 Default value: 0x00
 Access: Read/Write
 Function: PWM0 output pin goes low when the PWM timer reaches the count value stored in this register.

PWM0COM2 Compare Register

Name: PWM0COM2
 Address: 0xFFFFF8C
 Default value: 0x00
 Access: Read/write
 Function: PWM1 output pin goes low when the PWM timer reaches the count value stored in this register.

PWM0LEN Register

Name: PWM0LEN
 Address: 0xFFFFF90
 Default value: 0x00
 Access: Read/write
 Function: PWM1 output pin goes high when the PWM timer reaches the value stored in this register.

PWM1COM0 Compare Register

Name: PWM1COM0
 Address: 0xFFFFF94
 Default value: 0x00
 Access: Read/write
 Function: PWM2 output pin goes high when the PWM timer reaches the count value stored in this register.

PWM1COM1 Compare Register

Name: PWM1COM1
 Address: 0xFFFFF98
 Default value: 0x00
 Access: Read/write
 Function: PWM2 output pin goes low when the PWM timer reaches the count value stored in this register.

PWM1COM2 Compare Register

Name: PWM1COM2
 Address: 0xFFFFF9C
 Default value: 0x00
 Access: Read/write
 Function: PWM3 output pin goes low when the PWM timer reaches the count value stored in this register.

PWM1LEN Register

Name: PWM1LEN
 Address: 0xFFFFFA0
 Default value: 0x00
 Access: Read/write
 Function: PWM3 output pin goes high when the PWM timer reaches the value stored in this register.

PWM2COM0 Compare Register

Name: PWM2COM0
Address: 0xFFFFFA4
Default value: 0x00
Access: Read/write
Function: PWM4 output pin goes high when the PWM timer reaches the count value stored in this register.

PWM2COM1 Compare Register

Name: PWM2COM1
Address: 0xFFFFFA8
Default value: 0x00
Access: Read/write
Function: PWM4 output pin goes low when the PWM timer reaches the count value stored in this register.

PWM2COM2 Compare Register

Name: PWM2COM2
Address: 0xFFFFFAC
Default value: 0x00
Access: Read/write
Function: PWM5 output pin goes low when the PWM timer reaches the count value stored in this register.

PWM1LEN Register

Name: PWM2LEN
Address: 0xFFFFFB0
Default value: 0x00
Access: Read/write
Function: PWM5 output pin goes high when the PWM timer reaches the value stored in this register.

PWMCLRI Register

Name: PWMCLRI
Address: 0xFFFFFB8
Default value: 0x0000
Access: Write only
Function: Write any value to this register to clear a PWM interrupt source. This register must be written to before exiting a PWM interrupt service routine, otherwise, multiple interrupts occur.

UART SERIAL INTERFACE

The ADuC7060 features a 16450-compatible UART. The UART is a full-duplex, universal, asynchronous receiver/transmitter. A UART performs serial-to-parallel conversion on data characters received from a peripheral device, and parallel-to-serial conversion on data characters received from the ARM7TDMI. The UART features a fractional divider that facilitates high accuracy baud rate generation and a network addressable mode. The UART functionality is available on the P1.0/RxD and P1.1/TxD pins of the ADuC7060.

The serial communication adopts an asynchronous protocol that supports various word length, stop bits, and parity generation options selectable in the configuration register.

BAUD RATE GENERATION

The ADuC7060 features two methods of generating the UART baud rate: normal 450 UART baud rate generation and ADuC7060 fractional divider.

Normal 450 UART Baud Rate Generation

The baud rate is a divided version of the core clock using the value in COMDIV0 and COMDIV1 MMRs (16-bit value, DL). The standard baud rate generator formula is

$$Baud\ rate = \frac{10.24\ MHz}{16 \times 2 \times DL} \tag{1}$$

Table 82 lists common baud rate values.

Table 82. Baud Rate Using the Standard Baud Rate Generator

Baud Rate	CD	DL	Actual Baud Rate	% Error
9600	0	0x21	9696	1.01%
19,200	0	0x11	18,824	1.96%
115,200	0	0x3	106,667	7.41%
9600	3	0x4	10,000	4.17%
19,200	3	0x2	20,000	4.17%

ADuC706x Fractional Divider

The fractional divider combined with the normal baud rate generator allows the generation of accurate, high speed baud rates.

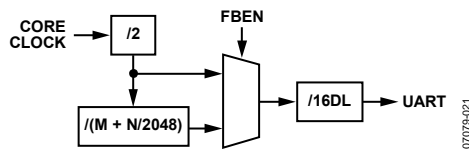


Figure 22. Fractional Divider Baud Rate Generation

Calculation of the baud rate using a fractional divider is as follows:

$$Baud\ rate = \frac{10.24\ MHz}{16 \times DL \times 2 \times (M + \frac{N}{2048})} \tag{2}$$

$$M + \frac{N}{2048} = \frac{10.24\ MHz}{Baud\ rate \times 16 \times DL \times 2}$$

Table 83 lists common baud rate values.

Table 83. Baud Rate Using the Fractional Baud Rate Generator

Baud Rate	CD	DL	M	N	Actual Baud Rate	% Error
9600	0	0x21	1	21	9598.55	0.015%
19,200	0	0x10	1	85	19,203	0.015%
115,200	0	0x2	1	796	115,218	0.015%

UART REGISTER DEFINITION

The UART interface consists of the following nine registers:

- COMTX: 8-bit transmit register
- COMRX: 8-bit receive register
- COMDIV0: divisor latch (low byte)
- COMDIV1: divisor latch (high byte)
- COMCON0: line control register
- COMSTA0: line status register
- COMIEN0: interrupt enable register
- COMIID0: interrupt identification register
- COMDIV2: 16-bit fractional baud divide register

COMTX, COMRX, and COMDIV0 share the same address location. COMTX and COMRX can be accessed when Bit 7 in the COMCON0 register is cleared. COMDIV0 can be accessed when Bit 7 of COMCON0 is set.

UART TX Register

Write to this 8-bit register to transmit data using the UART.

Name: COMTX
Address: 0xFFFF0700
Access: Write only

UART RX Register

This 8-bit register is read from to receive data transmitted using the UART.

Name: COMRX
Address: 0xFFFF0700
Default value: 0x00
Access: Read only

UART Divisor Latch Register 0

This 8-bit register contains the least significant byte of the divisor latch that controls the baud rate at which the UART operates.

Name: COMDIV0
Address: 0xFFFF0700
Default value: 0x00
Access: Read/write

UART Divisor Latch Register 1

This 8-bit register contains the most significant byte of the divisor latch that controls the baud rate at which the UART operates.

Name: COMDIV1
Address: 0xFFFF0704
Default value: 0x00
Access: Read/write

UART Control Register 0

This 8-bit register controls the operation of the UART in conjunction with COMCON1.

Name: COMCON0
Address: 0xFFFF070C
Default value: 0x00
Access: Read/write

Table 84. COMCON0 MMR Bit Designations

Bit	Name	Description
7	DLAB	Divisor Latch Access. Set by user to enable access to COMDIV0 and COMDIV1 registers. Cleared by user to disable access to COMDIV0 and COMDIV1 and enable access to COMRX, COMTX, and COMIEN0.
6	BRK	Set Break. Set by user to force TxD to 0. Cleared to operate in normal mode.
5	SP	Stick Parity. Set by user to force parity to defined values. 1 if EPS = 1 and PEN = 1. 0 if EPS = 0 and PEN = 1.
4	EPS	Even Parity Select Bit. Set for even parity. Cleared for odd parity.
3	PEN	Parity Enable Bit. Set by user to transmit and check the parity bit. Cleared by user for no parity transmission or checking.
2	STOP	Stop Bit. Set by the user to transmit 1.5 stop bits if the word length is 5 bits, or 2 stop bits if the word length is 6, 7, or 8 bits. The receiver checks the first stop bit only, regardless of the number of stop bits selected. Cleared by the user to generate one stop bit in the transmitted data.
1 to 0	WLS	Word Length Select. 00 = 5 bits. 01 = 6 bits. 10 = 7 bits. 11 = 8 bits.

UART Control Register 1

This 8-bit register controls the operation of the UART in conjunction with COMCON0.

Name: COMCON1
 Address: 0xFFFF0710
 Default value: 0x00
 Access: Read/write

Table 85. COMCON1 MMR Bit Designations

Bit	Name	Description
7:5		Reserved bits. Not used.
4	LOOPBACK	Loopback. Set by user to enable loopback mode. In loopback mode, the TxD is forced high.
3:2		Reserved bits. Not used.
1	RTS	Request to Send. Set by user to force the RTS output to 0. Cleared by user to force the RTS output to 1.
0	DTR	Data Terminal Ready. Set by user to force the DTR output to 0. Cleared by user to force the DTR output to 1.

UART Status Register 0

Name: COMSTA0
 Address: 0xFFFF0714
 Default value: 0x60
 Access: Read only
 Function: This 8-bit read-only register reflects the current status on the UART.

Table 86. COMSTA0 MMR Bit Designations

Bit	Name	Description
7		Reserved.
6	TEMT	COMTX and Shift Register Empty Status Bit. Set automatically if COMTX and the shift register are empty. This bit indicates that the data has been transmitted, that is, no more data is present in the shift register. Cleared automatically when writing to COMTX.
5	THRE	COMTX Empty Status Bit. Set automatically if COMTX is empty. COMTX can be written as soon as this bit is set, the previous data might not have been transmitted yet and can still be present in the shift register. Cleared automatically when writing to COMTX.
4	BI	Break Indicator. Set when SIN is held low for more than the maximum word length. Cleared automatically.
3	FE	Framing Error. Set when the stop bit is invalid. Cleared automatically.
2	PE	Parity Error. Set when a parity error occurs. Cleared automatically.
1	OE	Overrun Error. Set automatically if data are overwritten before being read. Cleared automatically.
0	DR	Data Ready. Set automatically when COMRX is full. Cleared by reading COMRX.

UART Interrupt Enable Register 0

Name: COMIEN0
 Address: 0xFFFF0704
 Default value: 0x00
 Access: Read/write
 Function: The 8-bit register enables and disables the individual UART interrupt sources.

Table 87. COMIEN0 MMR Bit Designations

Bit	Name	Description
7 to 4		Reserved. Not used.
3	EDSSI	Modem Status Interrupt Enable Bit. Set by user to enable generation of an interrupt if any of COMSTA1[3:1] are set. Cleared by user.
2	ELSI	RxD Status Interrupt Enable Bit. Set by the user to enable generation of an interrupt if any of the COMSTA0[3:1] register bits are set. Cleared by the user.
1	ETBEI	Enable Transmit Buffer Empty Interrupt. Set by the user to enable an interrupt when the buffer is empty during a transmission, that is, when COMSTA[5] is set. Cleared by the user.
0	ERBFI	Enable Receive Buffer Full Interrupt. Set by the user to enable an interrupt when the buffer is full during a reception. Cleared by the user.

UART Interrupt Identification Register 0

Name: COMIID0
 Address: 0xFFFF0708
 Default value: 0x01
 Access: Read only
 Function: This 8-bit register reflects the source of the UART interrupt.

Table 88. COMIID0 MMR Bit Designations

Bits[2:1] Status Bits	Bit 0 NINT	Priority	Definition	Clearing Operation
00	1		No interrupt	
11	0	1	Receive line status interrupt	Read COMSTA0
10	0	2	Receive buffer full interrupt	Read COMRX
01	0	3	Transmit buffer empty interrupt	Write data to COMTX or read COMIID0
00	0	4	Modem status interrupt	Read COMSTA1 register

UART Fractional Divider Register

This 16-bit register controls the operation of the fractional divider for the ADuC706x.

Name: COMDIV2
 Address: 0xFFFF072C
 Default value: 0x0000
 Access: Read/write

Table 89. COMDIV2 MMR Bit Designations

Bit	Name	Description
15	FBEN	Fractional Baud Rate Generator Enable Bit. Set by the user to enable the fractional baud rate generator. Cleared by the user to generate the baud rate using the standard 450 UART baud rate generator.
14:13		Reserved.
12:11	FBM[1:0]	M. If FBM = 0, M = 4. See Equation 2 for the calculation of the baud rate using a fractional divider and (Table TBD) for common baud rate values.
10:0	FBN[10:0]	N. See Equation 2 for the calculation of the baud rate using a fractional divider and (Table TBD) for common baud rate values.

I²C

The ADuC7060 incorporates an I²C peripheral that may be configured as a fully I²C-compatible I²C bus master device or, as a fully I²C bus-compatible slave device. The two pins used for data transfer, SDA and SCL, are configured in a wired-AND format that allows arbitration in a multimaster system. These pins require external pull-up resistors. Typical pull-up values are between 4.7 kΩ and 10 kΩ.

The I²C bus peripheral address in the I²C bus system is programmed by the user. This ID can be modified any time a transfer is not in progress. The user can configure the interface to respond to four slave addresses.

The transfer sequence of an I²C system consists of a master device initiating a transfer by generating a start condition while the bus is idle. The master transmits the slave device address and the direction of the data transfer (read or /write) during the initial address transfer. If the master does not lose arbitration and the slave acknowledges, the data transfer is initiated. This continues until the master issues a stop condition and the bus becomes idle.

The I²C peripheral can only be configured as a master or slave at any given time. The same I²C channel cannot simultaneously support master and slave modes.

The I²C interface on the ADuC7060 includes the following features:

- Support for repeated start conditions. In master mode, the ADuC7060 can be programmed to generate a repeated start. In slave mode, the ADuC7060 recognizes repeated start conditions.

```
GP0CON0 = BIT1 + BIT3;    // Select SPI/I2C alternative function for P0.1 and P0.3
GP0KEY1 = 0x7;           // Write to GP0KEY1
GP0CON1      = BIT1;     // Select I2C functionality for P0.1 and P0.3
GP0KEY2 = 0x13;         // Write to GP0KEY2
```

- In master and slave mode, the part recognizes both 7-bit and 10-bit bus addresses.
- In I²C master mode, the ADuC7060 supports continuous reads from a single slave up to 512 bytes in a single transfer sequence.
- Clock stretching is supported in both master and slave modes.
- In slave mode, the ADuC7060 can be programmed to return a no acknowledge (NACK). This allows the validation of checksum bytes at the end of I²C transfers.
- Bus arbitration in master mode is supported.
- Internal and external loopback modes are supported for I²C hardware testing. In loopback mode.
- The transmit and receive circuits in both master and slave mode contain 2-byte FIFOs. Status bits are available to the user to control these FIFOs.

Configuring External pins for I²C functionality

The I²C pins of the ADuC7060 device are P0.1 and P0.3. P0.1 is the I²C clock signal and P0.3 is the I²C data signal. To configure P0.1 and P0.3 for I²C mode, Bit 1 and Bit 3 of the GP0CON0 register must be set to 1. Bit 1 of the GP0CON1 register must also be set to 1 to enable I²C mode.

Note that to write to GP0CON1, the GP0KEY1 register must be set to 0x7 immediately before writing to GP0CON1. Also, the GP0KEY2 register must be set to 0x13 immediately after writing to GP0CON1. The following code example shows this in detail:

SERIAL CLOCK GENERATION

The I²C master in the system generates the serial clock for a transfer. The master channel can be configured to operate in fast mode (400 kHz) or standard mode (100 kHz).

The bit rate is defined in the I2CDIV MMR as follows:

$$f_{SERIAL\ CLOCK} = \frac{f_{UCLK}}{(2 + DIVH) + (2 + DIVL)}$$

where:

f_{UCLK} = clock before the clock divider.

DIVH = the high period of the clock.

DIVL = the low period of the clock.

Thus, for 100 kHz operation

$$DIVH = DIVL = 0x33$$

and for 400 kHz

$$DIVH = 0x0A, DIVL = 0x0F$$

The I2CDIV register corresponds to DIVH:DIVL.

I²C BUS ADDRESSES

Slave Mode

In slave mode, the registers I2CID0, I2CID1, I2CID2, and I2CID3 contain the device IDs. The device compares the four I2CIDx registers to the address byte received from the bus master. To be correctly addressed, the 7 MSBs of either ID register must be identical to that of the 7 MSBs of the first received address byte. The LSB of the ID registers (the transfer direction bit) is ignored in the process of address recognition.

I²C Master Registers

I²C Master Control Register

Name: I2CMCON

Address: 0xFFFF0900

Default value: 0x0000

Access: Read/write

Function: This 16-bit MMR configures I²C peripheral in master mode.

Table 90. I2CMCON MMR Bit Designations

Bit	Name	Description
15 to 9		Reserved. These bits are reserved and should not be written to.
8	I2CMCENI	I ² C transmission complete interrupt enable bit. Set this bit to enable an interrupt on detecting a Stop condition on the I ² C bus. Clear this interrupt source.
7	I2CNACKENI	I ² C no acknowledge (NACK) received Interrupt enable bit. Set this bit to enable interrupts when the I ² C master receives a no acknowledge (NACK). Clear this interrupt source.
6	I2CALENI	I ² C Arbitration Lost Interrupt Enable bit. Set this bit to enable interrupts when the I ² C master has lost in trying to gain control of the I ² C bus. Clear this interrupt source.

The ADuC7060 also supports 10-bit addressing mode. When Bit 1 of I2CSCON (ADR10EN bit) is set to 1, then one 10-bit address is supported in slave mode and is stored in registers I2CID0 and I2CID1. The 10-bit address is derived as follows:

I2CID0[0] is the read/write bit and is not part of the I²C address.

I2CID0[7:1] = Address Bits[6:0].

I2CID1[2:0] = Address Bits[9:7].

I2CID1[7:3] must be set to 11110b

Master Mode

In master mode, the I2CADR0 register is programmed with the I²C address of the device.

In 7-bit address mode, I2CADR0[7:1] are set to the device address. I2CADR0[0] is the read/write bit.

In 10-bit address mode, the 10-bit address is created as follows:

I2CADR0[7:3] must be set to 11110b.

I2CADR0[2:1] = Address Bits[9:8].

I2CADR1[7:0] = Address Bits[7:0].

I2CADR0[0] is the read/write bit.

I²C REGISTERS

The I²C peripheral interface consists overall of 19 MMRs. 10 of these are master related only, 7 are slave related only, and there are 2 MMRs common to both master and slave modes.

Bit	Name	Description
5	I2CMTENI	I ² C Transmit Interrupt Enable bit. Set this bit to enable interrupts when the I2C master has transmitted a byte. Clear this interrupt source.
4	I2CMRENI	I ² C Receive Interrupt Enable bit. Set this bit to enable interrupts when the I2C master receives data. Cleared by user to disable interrupts when the I2C master is receiving data.
3	I2CMSEN	I ² C Master SCL stretch Enable bit. Set this bit to 1 to enable Clock stretching. When SCL is low, setting this bit will force the device to hold SCL low until I2CMSEN is cleared. If SCL is high, setting this bit forces the device to hold SCL low after the next falling edge. Clear this bit to disable clock stretching.
2	I2CILEN	I ² C Internal Loopback Enable. Set this bit to enable loopback test mode. In this mode, the SCL and SDA signals are connected internally to their respective input signals. Cleared by user to disable Loopback mode.
1	I2CBD	I ² C Master Backoff Disable bit. Set this bit to allow the device to compete for control of the bus even if another device is currently driving a Start Condition. Clear this bit to back off until the I ² C bus becomes free.
0	I2CMEN	I ² C Master Enable bit. Set by user to enable I ² C master mode. Cleared disable I ² C master mode.

I²C Master Status Register

Name: I2CMSTA

Address: 0xFFFF0904

Default value: 0x0000

Access: Read

Function: This 16-bit MMR is I²C status register in master mode.**Table 91 I2CMSTA MMR Bit Designations**

Bit	Name	Description
15 to 11		Reserved. These bits are reserved.
10	I2CBBUSY	I ² C Bus Busy Status Bit. This bit is set to 1 when a start condition is detected on the I ² C bus. This bit is cleared when a stop condition is detected on the bus.
9	I2CMRxFO	Master Rx FIFO Overflow. This bit is set to 1 when a byte is written to the Rx FIFO when it is already full. This bit is cleared in all other conditions.
8	I2CMTC	I ² C Transmission Complete Status Bit. This bit is set to 1 when a transmission is complete between the master and the slave it was communicating with. If the I2CMCENI bit in I2CMCON is set, an interrupt is generated when this bit is set. Clear this interrupt source.
7	I2CMNA	I ² C Master No Acknowledge (NACK). Data Bit This bit is set to 1 when a no acknowledge (NACK). condition is received by the master in response to a data write transfer. If the I2CNACKENI bit in I2CMCON is set, an interrupt is generated when this bit is set. This bit is cleared in all other conditions.
6	I2CMBUSY	I ² C Master Busy Status Bit. Set to 1 when the master is busy processing a transaction. Cleared if the master is ready or if another master device has control of the bus.
5	I2CAL	I ² C Arbitration Lost Status Bit. This bit is set to 1 when the I ² C master has lost in trying to gain control of the I ² C bus. If the I2CALENI bit in I2CMCON is set, an interrupt is generated when this bit is set. This bit is cleared in all other conditions.
4	I2CMNA	I ² C Master No Acknowledge Address Bit. This bit is set to 1 when a no acknowledge condition is received by the master in response to an Address. If the I2CNACKENI bit in I2CMCON is set, an interrupt is generated when this bit is set. This bit clears in all other conditions.
3	I2CMRXQ	I ² C Master Receive Request Bit. This bit is set to 1 when data enters the Rx FIFO. If the I2CMRENI in I2CMCON is set, an interrupt is generated. This bit is cleared in all other conditions.
2	I2CMTXQ	I ² C Master Transmit Request bit. This bit goes high if the Tx FIFO is empty or only contains 1 byte and the master has transmitted an Address + write. If the I2CMTENI bit in I2CMCON is set, an interrupt is generated when this bit is set. This bit is cleared in all other conditions.
1 to 0	I2CMTFSTA	I ² C Master Tx FIFO Status Bits. 00 = I ² C Master Tx FIFO empty 01 = 1 byte in Master Tx FIFO 10 = 1 byte in Master Tx FIFO 11 = I ² C Master Tx FIFO Ffull.

I²C Master Receive Register

Name: I2CMRX
 Address: 0xFFFF0908
 Default value: 0x00
 Access: Read only
 Function: This 8-bit MMR is the I²C master receive register.

I²C Master Transmit Register

Name: I2CMTX
 Address: 0xFFFF090C
 Default value: 0x00
 Access: Write only
 Function: This 8-bit MMR is the I²C master transmit register.

I²C Master Read Count Register

Name: I2CMCNT0
 Address: 0xFFFF0910
 Default value: 0x0000
 Access: Read/write
 Function: This 16-bit MMR holds the required number of bytes when the master begins a read sequence from a slave device.

Table 92. I2CMCNT0 MMR Bit Descriptions

Bit	Name	Description
15:9		Reserved.
8	I2CRECNT	Set this bit if greater than 256 bytes are required from the slave. Clear this bit when reading 256 bytes or less.
7:0	I2CRCNT	These 8 bits hold the number of bytes required during a slave read sequence, minus 1. If only a single byte is required, these bits should be set to 0.

I²C Master Current Read Count Register

Name: I2CMCNT1
 Address: 0xFFFF0914
 Default value: 0x00
 Access: Read
 Function: This 8-bit MMR holds the number of bytes received so far during a read sequence with a slave device.

I²C Address 0 Register

Name: I2CADR0
 Address: 0xFFFF0918
 Default value: 0x00
 Access: Read/write
 Function: This 8-bit MMR holds the 7-bit slave address + the read/write bit when the master begins communicating with a slave.

Table 93. I2CADR0 MMR in 7-Bit Address Mode

Bit	Name	Description
7:1	I2CADR	These bits contain the 7-bit address of the required slave device.
0	R/ \overline{W}	Bit 0 is the read/write bit. When this bit = 1, a read sequence is requested. When this bit = 0, a write sequence is requested.

Table 94. I2CADR0 MMR in 10-Bit Address Mode

Bit	Name	Description
7:3		These bits must be set to [11110b] {hex?} in 10-bit address mode.
2:1	I2CMADR	These bits contain ADDR[9:8] in 10-bit addressing mode.
0	R/ \overline{W}	Read/Write Bit. When this bit = 1, a read sequence is requested. When this bit = 0, a write sequence is requested.

I²C Address 1 Register

Name: I2CADR1
 Address: 0xFFFF091C
 Default value: 0x00
 Access: Read/write
 Function: This 8-bit MMR is used in 10-bit addressing mode only. This register contains the least significant byte of the address.

I²C Master Clock Control Register

Name: I2CDIV
 Address: 0xFFFF0924
 Default value: 0x1F1F
 Access: Read/write
 Function: This MMR controls the frequency of the I²C clock generated by the master on to the SCL pin. For further details, see the Serial Clock Generation section.

Table 95. I2CADR1 MMR in 10-Bit Address Mode

Bit	Name	Description
7:0	I2CLADR	These bits contain ADDR[7:0] in 10-bit addressing mode.

Table 96. I2CDIV MMR

Bit	Name	Description
15:8	DIVH	These bits control the duration of the high period of SCL.
7:0	DIVL	These bits control the duration of the low period of SCL.

I²C Slave Registers

I²C Slave Control Register

Name: I2CSCON

Address: 0xFFFF0928

Default value: 0x0000

Access: Read/write

Function: This 16-bit MMR configures the I²C peripheral in slave mode.

Table 97. I2CSCON MMR Bit Designations

Bit	Name	Description
15 to 11		Reserved bits.
10	I2CSTXENI	Slave Transmit Interrupt Enable bit. Set this bit to enable an interrupt after a slave transmits a byte. Clear this interrupt source.
9	I2CSRXENI	Slave Receive Interrupt Enable bit. Set this bit to enable an interrupt after the slave receives data. Clear this interrupt source.
8	I2CSSENI	I ² C Stop Condition detected Interrupt Enable bit. Set this bit to enable an interrupt on detecting a Stop condition on the I ² C bus. Clear this interrupt source.
7	I2CNACKEN	I ² C no acknowledge (NACK) enable bit. Set this bit to no acknowledge (NACK) the next byte in the transmission sequence. Clear this bit to let the Hardware control the acknowledge/no acknowledge sequence.
6	I2CSSEN	I ² C Slave SCL stretch Enable bit. Set this bit to 1 to enable clock stretching. When SCL is low, setting this bit forces the device to hold SCL low until I2CSSEN is cleared. If SCL is high, setting this bit forces the device to hold SCL low after the next falling edge. Clear this bit to disable clock stretching.
5	I2CSETEN	I ² C Early Transmit Interrupt Enable bit. Setting this bit enables a Transmit Request interrupt just after the positive edge of SCL during the Read bit transmission. Clear this bit to enable a Transmit Request interrupt just after the negative edge of SCL during the Read bit transmission.
4	I2CGCCLR	I ² C General Call Status and ID Clear bit. Writing a 1 to this bit clears the General Call Status and ID bits in the I2CSSTA register. Clear this bit at all other times.
3	I2CHGCEN	I ² C Hardware General Call Enable. See I ² C General Call section for further details. Set this bit and I2CGCEN to enable Hardware General call recognition in slave mode. Clear to disable recognition of Hardware General Call commands.
2	I2CGCEN	I ² C General Call Enable. See the I ² C General Call section for further details. Set this bit to allow the slave acknowledge I ² C general call commands. Clear to disable recognition of general call commands.
1	RESERVED	Always set this bit = 0.
0	I2CSEN	I ² C Slave Enable Bit. Set by user to enable I ² C slave mode. Clear to disable I ² C slave mode.

I²C Slave Status Register

Name: I2CSSTA

Address: 0xFFFF092C

Default value: 0x0000

Access: Read/write

Function: This 16-bit MMR is the I²C status register in slave mode.**Table 98. I2CSSTA MMR Bit Designations**

Bit	Name	Description
15		Reserved bit.
14	I2CSTA	This bit is set to 1 if: A) A Start Condition followed by a matching address is detected. B) It is also set if a Start byte (0x01) is received. C) If General Calls are enabled and a General Call code of (0x00) is received. This bit is cleared on receiving a Stop condition
13	I2CREPS	This bit is set to 1 if a Repeated Start condition is detected. This bit is cleared on receiving a Stop condition
12 to 11	I2CID[1:0]	I ² C Address matching register. These bits indicate which I2CIDx register matches the received address. [00] = Received address matches I2CID0, [01] = Received address matches I2CID1 [10] = Received address matches I2CID2 [11] = Received address matches I2CID3
10	I2CSS	I ² C Stop Condition after Start detected bit. This bit is set to 1 when a Stop condition is detected after a previous Start and matching address. When the I2CSSENI bit in I2CSCON is set, an interrupt will be generated. This bit is cleared by reading this register.
9 to 8	I2CGCID[1:0]	I ² C General Call ID bits [00] = No general Call received. [01] = General Call Reset & Program Address. [10] = General Program Address. [11] = General Call matching alternative ID Note: These bits will not be cleared by a General Call reset command. Clear these bits by writing a 1 to the I2CGCLR bit in I2CSCON.
7	I2CGC	I ² C General Call Status bit This bit is set to 1 if the slave receives a General Call command of any type. If the command received was a Reset command, then all registers will return to their default state. If the command received was a Hardware General Call, the Rx FIFO holds the 2 nd byte of the command and this can be compared with the I2CALT register. Clear this bit by writing a 1 to the I2CGCLR bit in I2CSCON.
6	I2CSBUSY	I ² C Slave Busy Status bit Set to 1 when the Slave receives a Start condition Cleared by hardware if: a) The received address does not match any of the I2CSIDx registers b) The slave device receives a stop condition. c) If a Repeated Start address doesn't match any of the I2CSIDx registers
5	I2CSNA	I ² C Slave NO ACKNOWLEDGE (NACK) Data bit This bit is set to 1 when the Slave responds to a bus address with a no acknowledge. This bit is asserted under the following conditions: a) If no acknowledge was returned because there was no data in the Tx FIFO b) If the I2CNACKEN bit was set in the I2CSCON register. This bit is cleared in all other conditions.

Bit	Name	Description
4	I2CSRxFO	Slave Rx FIFO Overflow. This bit is set to 1 when a byte is written to the Rx FIFO when it is already full. This bit is cleared in all other conditions.
3	I2CSRXQ	I ² C Slave Receive Request bit. This bit is set to 1 when the Rx FIFO of the slave is not empty. This bit causes an interrupt to occur if the I2CSRXENI bit in I2CSCON is set. The Rx FIFO must be read or flushed to clear this bit.
2	I2CSTXQ	I ² C Slave Transmit Request bit This bit is set to 1 when the slave receives a matching address followed by a read. If the I2CSETEN bit in I2CSCON is =0, , this bit goes high just after the negative edge of SCL during the read bit transmission. If the I2CSETEN bit in I2CSCON is =1, this bit goes high just after the positive edge of SCL during the Read bit transmission. This bit causes an interrupt to occur if the I2CSTXENI bit in I2CSCON is set. This bit is cleared in all other conditions.
1	I2CSTFE	I ² C Slave FIFO underflow Status bit This bit goes high if the Tx FIFO is empty when a master requests data from the slave. This bit is asserted at the rising edge of SCL during the Read bit. This bit is cleared in all other conditions.
0	I2CETSTA	I ² C Slave Early Transmit FIFO Status bit If the I2CSETEN bit in I2CSCON is =0, this bit goes high if the slave Tx FIFO is empty. If the I2CSETEN bit in I2CSCON is =1, this bit goes high just after the positive edge of SCL during the Write bit transmission. This bit asserts once only for a transfer. This bit is cleared after being read.

I²C Slave Receive Register

Name: I2CSRX
 Address: 0xFFFF0930
 Default value: 0x00
 Access: Read
 Function: This 8-bit MMR is the I²C slave receive register.

I²C Slave Transmit Register

Name: I2CSTX
 Address: 0xFFFF0934
 Default value: 0x00
 Access: Write
 Function: This 8-bit MMR is the I²C slave transmit register.

I²C Hardware General Call Recognition Register

Name: I2CALT
 Address: 0xFFFF0938
 Default value: 0x00
 Access: Read/write
 Function: This 8-bit MMR is used with hardware general calls when I2CSCON bit 3 is set to 1. This register is used in cases where a master is unable to generate an address for a slave, and instead, the slave must generate the address for the master.

I²C Slave Device ID Registers

Name: I2CALT
 Addresses: 0xFFFF093C = I2CID0 {does this dash mean minus or “to”?}
 0xFFFF0940 = I2CID1
 0xFFFF0944 = I2CID2
 0xFFFF0948 = I2CID3
 Default value: 0x00
 Access: Read/write
 Function: These 8-bit MMRs are programmed with I²C bus IDs of the slave. See the I2C Bus Addresses section for further details.

I²C COMMON REGISTERS

I²C FIFO Status Register

Name: I2CFSTA
 Address: 0xFFFF094C
 Default value: 0x0000
 Access: Read/write
 Function: These 16-bit MMRs contain the status of the Rx/Tx FIFOs in both master and slave modes.

Table 99. I2CFSTA MMR Bit Designations

Bit	Name	Description
15:10		Reserved Bits.
9	I2CFMTX	Set this bit to 1 to flush the master Tx FIFO.
8	I2CFSTX	Set this bit to 1 to flush the slave Tx FIFO.
7:6	I2CMRXSTA	I ² C Master Receive FIFO Status Bits. [00] = FIFO empty. [01] = byte written to FIFO. [10] = 1 byte in FIFO. [11] = FIFO full.
5:4	I2CMTXSTA	I ² C Master Transmit FIFO Status Bits. [00] = FIFO empty. [01] = byte written to FIFO. [10] = 1 byte in FIFO. [11] = FIFO full.
3:2	I2CSRXSTA	I ² C Slave Receive FIFO Status Bits. [00] = FIFO empty [01] = byte written to FIFO [10] = 1 byte in FIFO [11] = FIFO full
1:0	I2CSTXSTA	I ² C Slave Transmit FIFO Status Bits. [00] = FIFO empty. [01] = byte written to FIFO. [10] = 1 byte in FIFO. [11] = FIFO full.

SERIAL PERIPHERAL INTERFACE

The ADuC7060 integrates a complete hardware serial peripheral interface (SPI) on-chip. SPI is an industry standard, synchronous serial interface that allows eight bits of data to be synchronously transmitted and simultaneously received, that is, full duplex up to a maximum bit rate of 5.12 Mb.

The SPI port can be configured for master or slave operation and typically consists of four pins: MISO, MOSI, SCL, and \overline{SS} .

MISO (MASTER IN, SLAVE OUT) PIN

The MISO pin is configured as an input line in master mode and an output line in slave mode. The MISO line on the master (data in) should be connected to the MISO line in the slave device (data out). The data is transferred as byte wide (8-bit) serial data, MSB first.

MOSI (MASTER OUT, SLAVE IN) PIN

The MOSI pin is configured as an output line in master mode and an input line in slave mode. The MOSI line on the master (data out) should be connected to the MOSI line in the slave device (data in). The data is transferred as byte wide (8-bit) serial data, MSB first.

SCL (SERIAL CLOCK I/O) PIN

The master serial clock (SCL) synchronizes the data being transmitted and received through the MOSI SCL period. Therefore, a byte is transmitted/received after eight SCL periods. The SCL pin is configured as an output in master mode and as an input in slave mode.

In master mode, polarity and phase of the clock are controlled by the SPICON register, and the bit rate is defined in the SPIDIV register as follows:

$$f_{SERIALCLOCK} = \frac{f_{UCLK}}{2 \times (1 + SPIDIV)}$$

The maximum speed of the SPI clock is independent on the clock divider bits.

```
GP0CON0 = BIT0 + BIT1 + BIT2 + BIT3; // Select SPI/I2C alternative function for P0[0...3]
GP0KEY1 = 0x7; //Write to GP0KEY1
GP0CON1 &=~ BIT1; // Select SPI functionality for P0.0 to P0.3
GP0KEY2 = 0x13; //Write to GP0KEY2
```

In slave mode, the SPICON register must be configured with the phase and polarity of the expected input clock. The slave accepts data from an external master up to 5.12 Mb.

In both master and slave modes, data are transmitted on one edge of the SCL signal and sampled on the other. Therefore, it is important that the polarity and phase are configured the same for the master and slave devices.

SLAVE SELECT (\overline{SS} INPUT) PIN

In SPI slave mode, a transfer is initiated by the assertion of \overline{SS} , which is an active low input signal. The SPI port then transmits and receives 8-bit data until the transfer is concluded by deassertion of \overline{SS} . In slave mode, \overline{SS} is always an input.

In SPI master mode, the \overline{SS} is an active low output signal. It asserts itself automatically at the beginning of a transfer and deasserts itself upon completion.

CONFIGURING EXTERNAL PINS FOR SPI FUNCTIONALITY

The SPI pins of the ADuC7060 device are P0[0:3].

P0.0 is the slave chip select pin. In slave mode, this pin is an input and must be driven low by the master. In master mode, this pin is an output and will go low at the beginning of a transfer and high at the end of a transfer.

P0.1 is the SCL pin.

P0.2 is the master In, slave out (MISO) pin.

P0.3 is the master Out, slave in (MOSI) pin.

To configure P0[0:3] for SPI mode, Bit 0 to Bit 3 of the GP0CON0 register must be set to 1. Bit 1 of the GP0CON1 register must be set to 0x7 immediately before writing to GP0CON1. Also, the GP0KEY2 register must be set to 0x13 immediately after writing to GP0CON1. The following code example shows this in detail:

SPI REGISTERS

The following MMR registers control the SPI interface: SPISTA, SPIRX, SPITX, SPIDIV, and SPICON.

SPI Status Register

Name: SPISTA

Address: 0xFFFF0A00

Default value: 0x00000000

Access: Read/write

Function: This 32-bit MMR contains the status of the SPI interface in both master and slave modes.

Table 100. SPISTA MMR Bit Designations

Bit	Name	Description
15:12		Reserved bits.
11	SPIREX	SPI Rx FIFO excess bytes present. This bit is set when there are more bytes in the Rx FIFO than indicated in the SPIRXMDE bits in SPICON. This bit is cleared when the number of bytes in the FIFO is equal or less than the number in SPIRXMDE.
10:8	SPIRXFSTA[2:0]	SPI Rx FIFO Status Bits. [000] = Rx FIFO is empty [001] = 1 valid byte in the FIFO [010] = 2 valid byte in the FIFO [011] = 3 valid byte in the FIFO [100] = 4 valid byte in the FIFO Clear this bit to disable clock stretching.
7	SPIFOF	SPI Rx FIFO Overflow Status Bit. Set when the Rx FIFO was already full when new data was loaded to the FIFO. This bit generates an interrupt except when SPIRFLH is set in SPICON. Cleared when the SPISTA register is read.
6	SPIRXIRQ	SPI Rx IRQ Status Bit. Set when a receive interrupt occurs. This bit is set when SPITMDE in SPICON is cleared and the required number of bytes have been received. Cleared when the SPISTA register is read.
5	SPITXIRQ	SPI Tx IRQ Status Bit. Set when a transmit interrupt occurs. This bit is set when SPITMDE in SPICON is set and the required number of bytes have been transmitted. Cleared when the SPISTA register is read.
4	SPITXUF	SPI Tx FIFO Underflow. This bit is set when a transmit is initiated without any valid data in the Tx FIFO. This bit generates an interrupt except when SPITFLH is set in SPICON. Cleared when the SPISTA register is read.
3:1	SPITXFSTA[2:0]	SPI Tx FIFO Status Bits. [000] = Tx FIFO is empty. [001] = 1 valid byte in the FIFO. [010] = 2 valid byte in the FIFO. [011] = 3 valid byte in the FIFO. [100] = 4 valid byte in the FIFO. Clear this bit to enable 7-bit address mode
0	SPIISTA	SPI Interrupt Status Bit. Set to 1 when an SPI based interrupt occurs. Cleared after reading SPISTA.

SPIRX Register

Name: SPIRX
Address: 0xFFFF0A04
Default value: 0x00
Access: Read
Function: This 8-bit MMR is the SPI receive register.

SPITX Register

Name: SPITX
Address: 0xFFFF0A08
Default value: 0x00
Access: Write
Function: This 8-bit MMR is the SPI transmit register.

SPIDIV Register

Name: SPIDIV
Address: 0xFFFF0A0C
Default value: 0x1B
Access: Write
Function: This 8-bit MMR is the SPI baud rate selection register.

SPI Control Register

Name: SPICON
Address: 0xFFFF0A10
Default value: 0x0000
Access: Read/write
Function: This 16-bit MMR configures the SPI peripheral in both master and slave modes.

Table 101. SPICON MMR Bit Designations

Bit	Name	Description
15 to 14	SPIMDE	SPI IRQ mode bits. These bits configure when the Tx/Rx interrupts occur in a transfer. [00] = Tx interrupt occurs when 1 byte has been transferred. Rx interrupt occurs when 1 or more bytes have been received into the FIFO. [01] = Tx interrupt occurs when 2 bytes has been transferred. Rx interrupt occurs when 1 or more bytes have been received into the FIFO. [10] = Tx interrupt occurs when 3 bytes has been transferred. Rx interrupt occurs when 3 or more bytes have been received into the FIFO. [11] = Tx interrupt occurs when 4 bytes has been transferred. Rx interrupt occurs when the Rx FIFO is full, or 4 bytes present.
13	SPITFLH	SPI Tx FIFO Flush enable bit. Set this bit to flush the Tx FIFO. This bit does not clear itself and should be toggled if a single flush is required. If this bit is left high, then either the last transmitted value or 0x00 is transmitted depending on the SPIZEN bit. Any writes to the Tx FIFO are ignored while this bit is set. Clear this bit to disable Tx FIFO flushing.
12	SPIRFLH	SPI Rx FIFO Flush enable bit. Set this bit to flush the Rx FIFO. This bit does not clear itself and should be toggled if a single flush is required. If this bit is set all incoming data is ignored and no interrupts are generated. If set and SPITMDE = 0, a read of the Rx FIFO initiates a transfer. Clear this bit to disable Rx FIFO flushing.
11	SPICONT	Continuous Transfer Enable. Set by user to enable continuous transfer. In master mode, the transfer continues until no valid data is available in the Tx register. \overline{SS} is asserted and remains asserted for the duration of each 8-bit serial transfer until Tx is empty. Cleared by user to disable continuous transfer. Each transfer consists of a single 8-bit serial transfer. If valid data exists in the SPITX register, then a new transfer is initiated after a stall period of 1 serial clock cycle.
10	SPILP	Loop Back Enable bit. Set by user to connect MISO to MOSI and test software. Cleared by user to be in normal mode.
9	SPIOEN	Slave MISO Output enable bit. Set this bit for MISO to operate as normal. Clear this bit to disable the output driver on the MISO pin. The MISO pin is Open-Drain when this bit is clear.
8	SPIROW	SPIRX Overflow Overwrite Enable. Set by user, the valid data in the Rx register is overwritten by the new serial byte received. Cleared by user, the new serial byte received is discarded.
7	SPIZEN	SPI transmit Zeros when Tx FIFO is empty. Set this bit to transmit "0x00" when there is no valid data in the Tx FIFO. Clear this bit to transmit the last transmitted value when there is no valid data in the Tx FIFO.
6	SPITMDE	SPI Transfer and Interrupt Mode. Set by user to initiate transfer with a write to the SPITX register. Interrupt only occurs when Tx is empty. Cleared by user to initiate transfer with a read of the SPIRX register. Interrupt only occurs when Rx is full.
5	SPILF	LSB First Transfer Enable Bit. Set by user, the LSB is transmitted first. Cleared by user, the MSB is transmitted first.
4	SPIWOM	SPI Wired Or Mode enable bit Set to 1 enable Open Drain data Output enable. External pull-ups required on data out pins. Clear for normal output levels.
3	SPICPO	Serial Clock Polarity Mode Bit. Set by user, the serial clock idles high. Cleared by user, the serial clock idles low.
2	SPICPH	Serial Clock Phase Mode Bit. Set by user, the serial clock pulses at the beginning of each serial bit transfer. Cleared by user, the serial clock pulses at the end of each serial bit transfer.

Bit	Name	Description
1	SPIEN	Master Mode Enable Bit. Set by user to enable master mode. Cleared by user to enable slave mode.
0	SPIEN	SPI Enable Bit. Set by user to enable the SPI. Cleared by user to disable the SPI.

GENERAL-PURPOSE I/O

The ADuC706x features up to sixteen general-purpose bidirectional input/output (GPIO) pins. In general, many of the GPIO pins have multiple functions that are configurable by user code. By default, the GPIO pins are configured in GPIO mode. All GPIO pins have an internal pull-up resistor with a drive capability of 1.6 mA.

All I/O pins are 3.3 V tolerant, meaning the GPIOs support an input voltage of 3.3 V.

When the ADuC706x enters a power-saving mode, the GPIO pins retain their state.

The GPIO pins are grouped into three port busses. Table 102 lists all the GPIO pins and their alternative functions. A GPIO pin alternative function can be selected by writing to the correct bits of the GPxCON register.

Table 102. GPIO Pin Function Descriptions

Port	Configuration via GPxCON		
	Pin	00	01
0	P0.0	GPIO	\overline{SS} (SPI slave select)
	P0.1	GPIO	SCLK/SCL (Serial clock/SPI clock)
	P0.2	GPIO	MISO (SPI—master in/slave out)
	P0.3	GPIO	MOSI (SPI—master out/slave in)
	P0.4	GPIO/IRQ0	PWM1 (PWM Input 1)
	P0.5	GPIO	
	P0.6	GPIO	
1	P1.0	GPIO/IRQ1	SIN (serial input)
	P1.1	GPIO	SOUT (serial output)
	P1.2	GPIO	PWMsync (PWM sync input pin)
	P1.3	GPIO	PWMtrip (PWM trip input pin)
	P1.4	GPIO	PWM2 (PWM Input 2)
	P1.5	GPIO/IRQ3	PWM3 (PWM Input 3)
	P1.6	GPIO	PWM4 (PWM Input 4)
2	P2.0	GPIO/IRQ2	PWM0 (PWM Input 0)
	P2.1	GPIO/IRQ3	PWM5 (PWM Input 5)

GPxCON REGISTERS

GPxCON are the Port x control registers, which select the function of each pin of Port x as described in Table 104.

Table 103. GPXCON Registers

Name	Address	Default Value	Access
GP0CON0	0xFFFF0D00	0x00000000	R/W
GP1CON	0xFFFF0D04	0x00000000	R/W
GP2CON	0xFFFF0D08	0x00000000	R/W

Table 104. GPxCON MMR Bit Descriptions

Bit	Description
31:30	Reserved.
29:28	Reserved.
27:26	Reserved.
25:24	Select function of Px.6 pin.
23:22	Reserved.
21:20	Select function of Px.5 pin.
19:18	Reserved.
17:16	Select function of Px.4 pin.
15:14	Reserved.
13:12	Select function of Px.3 pin.
11:10	Reserved.
9:8	Select function of Px.2 pin.
7:6	Reserved.
5:4	Select function of Px.1 pin.
3:2	Reserved.
1:0	Select function of Px.0 pin.

GPxDAT REGISTERS

GPxDAT are Port x configuration and data registers. They configure the direction of the GPIO pins of Port x, set the output value for the pins that are configured as output, and store the input value of the pins that are configured as input.

Table 105. GPxDAT Registers

Name	Address	Default Value	Access
GP0DAT	0xFFFF0D20	0x000000XX	R/W
GP1DAT	0xFFFF0D30	0x000000XX	R/W
GP2DAT	0xFFFF0D40	0x000000XX	R/W

Table 106. GPxDAT MMR Bit Descriptions

Bit	Description
31:24	Direction of the Data. Set to 1 by user to configure the GPIO pin as an output. Cleared to 0 by user to configure the GPIO pin as an input.
23:16	Port x Data Output.
15:8	Reflect the State of Port x Pins at Reset (Read Only).
7:0	Port x Data Input (Read Only).

GPxSET REGISTERS

GPxSET are data set Port x registers.

Table 107. GPxSET Registers

Name	Address	Default Value	Access
GP0SET	0xFFFF0D24	0x000000XX	W
GP1SET	0xFFFF0D34	0x000000XX	W
GP2SET	0xFFFF0D44	0x000000XX	W

Table 108. GPxSET MMR Bit Descriptions

Bit	Description
31:24	Reserved.
23:16	Data Port x Set Bit. Set to 1 by user to set bit on Port x; also sets the corresponding bit in the GPxDAT MMR. Cleared to 0 by user; does not affect the data output.
15:0	Reserved.

GPXCLR REGISTERS

GPxCLR are data clear Port x registers.

Table 109. GPxCLR Registers

Name	Address	Default Value	Access
GP0CLR	0xFFFF0D28	0x000000XX	W
GP1CLR	0xFFFF0D38	0x000000XX	W
GP2CLR	0xFFFF0D48	0x000000XX	W

Table 110. GPxCLR MMR Bit Descriptions

Bit	Description
31:24	Reserved.
23:16	Data Port x Clear Bit. Set to 1 by user to clear the bit on Port x; also clears the corresponding bit in the GPxDAT MMR. Cleared to 0 by user; does not affect the data output.
15:0	Reserved.

GPxPAR REGISTERS

The GPxPAR registers program the parameters for Port 0 and Port 1. Note that the GPxDAT MMR must always be written after changing the GPxPAR MMR.

Table 111. GPxPAR Registers

Name	Address	Default Value	Access
GP0PAR	0xFFFF0D2C	0x00000000	R/W
GP1PAR	0xFFFF0D3C	0x00000000	R/W
GP2PAR	0xFFFF0D4C	0x00000000	R/W

Table 112. GPxPAR MMR Bit Descriptions

Bit	Name	Description
31:15		Reserved.
23:16	GPL[7:0]	General I/O Port Pin Functionality Lock Registers. GPL[7:0] = 0, normal operation. GPL[7:0] = 1, for each GPIO pin, if this bit is set, writing to the corresponding bit in GPxCON or GPxDAT register bit will have no effect. {Is this phrasing correct?}
15:8	GPDS[7:0]	Drive Strength Configuration. This bit is configurable. GPDS[x] = 0, maximum source current is 2 mA. GPDS[x] = 1, maximum source current is 4 mA.
7:0	GPPD[7:0]	Pull-Up Disable Px[7:0]. GPPD[x] = 0, pull-up resistor is active. GPPD[x] = 1, pull-up resistor is disabled.

HARDWARE DESIGN CONSIDERATIONS

POWER SUPPLIES

The ADuC7060/ADuC7061/ADuC7062 operational power supply voltage range is 2.375 V to 2.625 V. Separate analog and digital power supply pins (AV_{DD} and DV_{DD} , respectively) allow AV_{DD} to be kept relatively free of noisy digital signals often present on the system DV_{DD} line. In this mode, the part can also operate with split supplies, that is, it can use different voltage levels for each supply. For example, the system can be designed to operate with an DV_{DD} voltage level of 2.6 V while the AV_{DD} level can be at 2.5 V, or vice versa. A typical split supply configuration is shown in Figure 23.

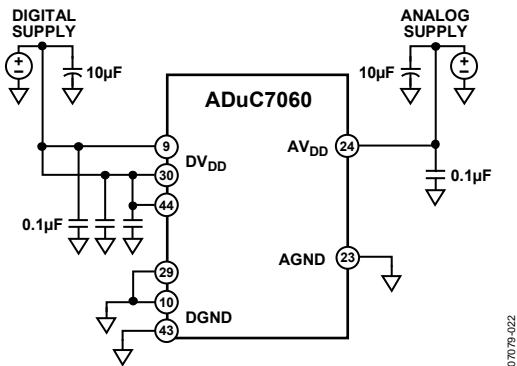


Figure 23. External Dual Supply Connections

As an alternative to providing two separate power supplies, the user can reduce noise on AV_{DD} by placing a small series resistor and/or ferrite bead between AV_{DD} and DV_{DD} , and then decoupling AV_{DD} separately to ground. An example of this configuration is shown in Figure 24. With this configuration, other analog circuitry (such as op amps, voltage reference, and others) can be powered from the AV_{DD} supply line as well.

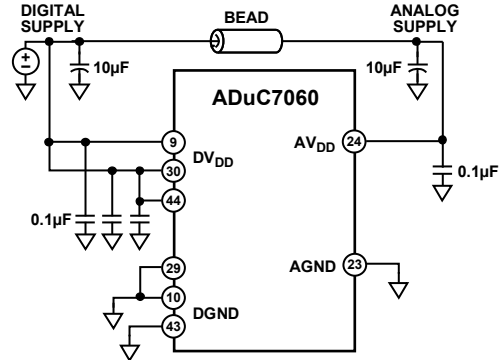


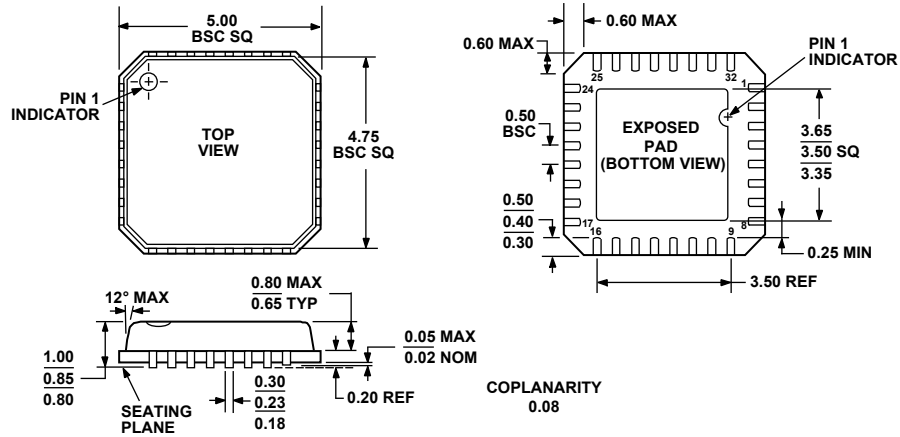
Figure 24. External Single Supply Connections

Notice that in both Figure 23 and Figure 24, a large value (10 μ F) reservoir capacitor sits on DV_{DD} , and a separate 10 μ F capacitor sits on AV_{DD} . In addition, local small value (0.1 μ F) capacitors are located at each AV_{DD} and DV_{DD} pin of the chip. As per standard design practice, be sure to include all of these capacitors and ensure the smaller capacitors are close to each AV_{DD} pin with trace lengths as short as possible. Connect the ground terminal of each of these capacitors directly to the underlying ground plane.

Note that the analog and digital ground pins on the ADuC7060/ADuC7061/ADuC7062 must be referenced to the same system ground reference point at all times.

Finally, note that once the DV_{DD} supply reaches 1.8 V, it must ramp to 2.25 V in less than 128 ms. This is a requirement of the internal power-on-reset circuitry.

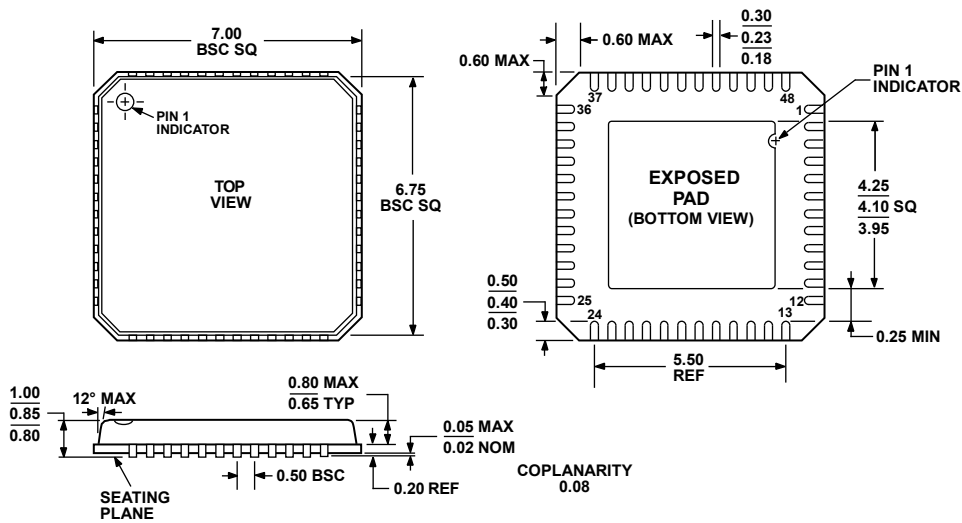
OUTLINE DIMENSIONS



COMPLIANT TO JEDEC STANDARDS MO-220-VHHD-2

Figure 25. 32-Lead Lead Frame Chip Scale Package [LFCSP_VQ]
5 mm × 5 mm Body, Very Thin Quad
(CP-32-4)

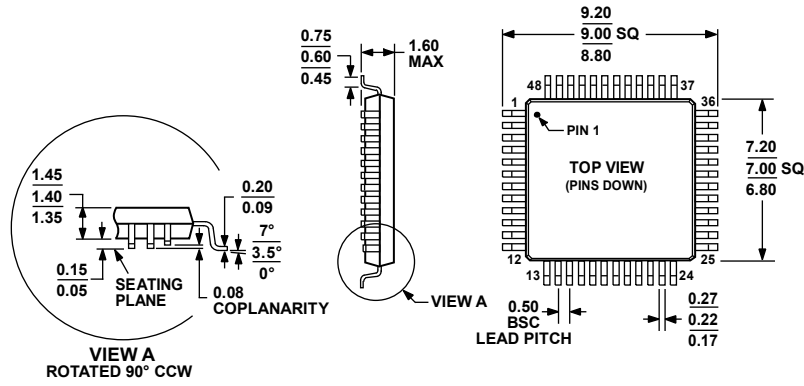
Dimensions shown in millimeters



COMPLIANT TO JEDEC STANDARDS MO-220-VKGD-2

Figure 26. 48-Lead Lead Frame Chip Scale Package [LFCSP_VQ]
7 mm × 7 mm Body, Very Thin Quad
(CP-48-3)

Dimensions shown in millimeters



COMPLIANT TO JEDEC STANDARDS MS-026-BBC

Figure 27. 48-Lead Low Profile Quad Flat Package [LQFP] (ST-48)

Dimensions shown in millimeters

061706-A

ORDERING GUIDE

Model	Temperature Range	Package Description	Package Option
ADuC7060BCPZ32 ¹	-40°C to +125°C	48-Lead Lead Frame Chip Scale Package [LFCSP_VQ]	CP-48-1
ADuC7060BSTZ32 ¹	-40°C to +125°C	48-Lead Low Profile Quad Flat Package [LQFP]	ST-48
ADuC7061BCPZ32 ¹	-40°C to +125°C	32-Lead Lead Frame Chip Scale Package [LFCSP_VQ]	CP-32-2
ADuC7062BCPZ32 ¹	-40°C to +125°C	32-Lead Lead Frame Chip Scale Package [LFCSP_VQ]	CP-32-2

¹ Z = RoHS Compliant Part.

NOTES

NOTES